



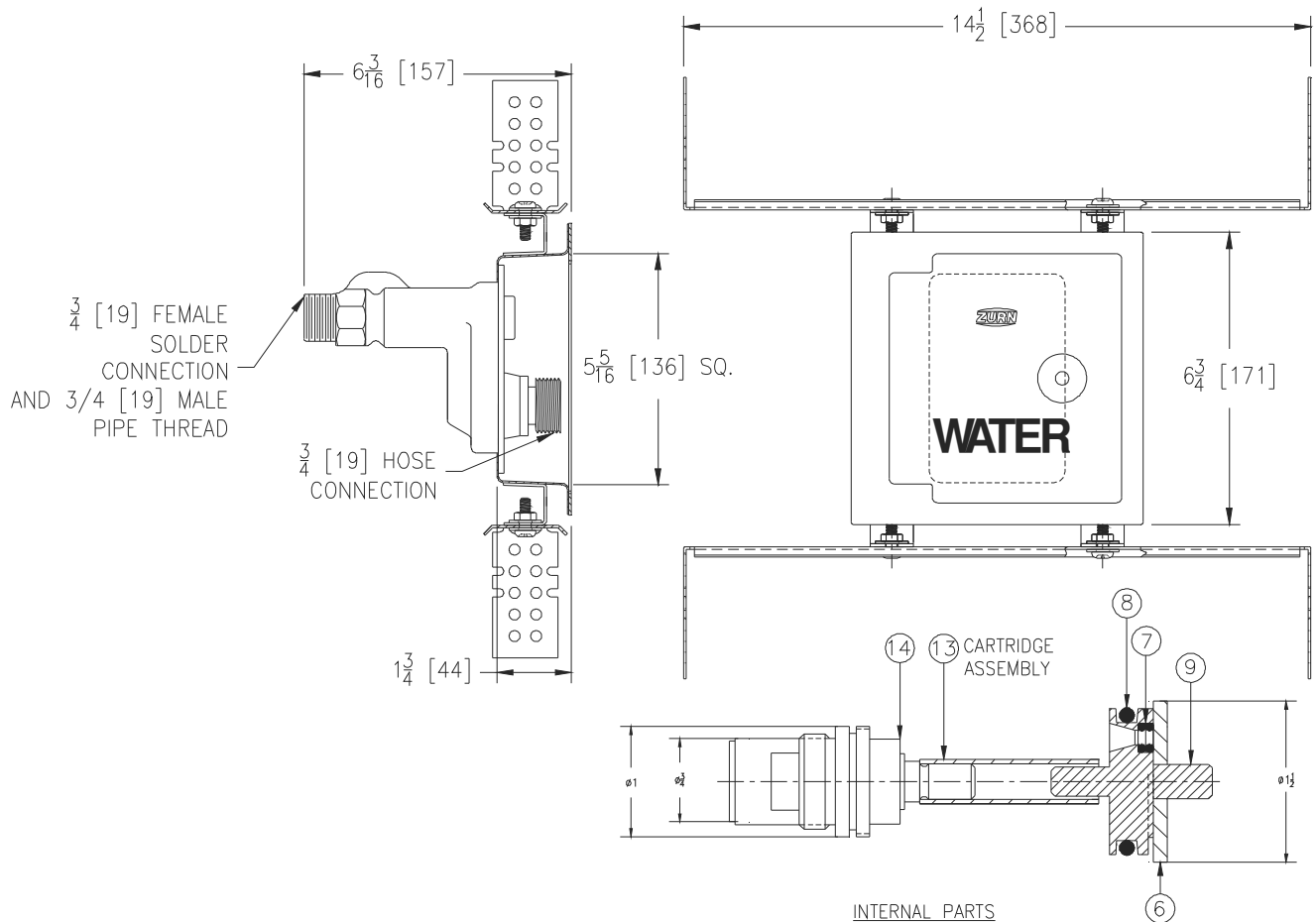
Z1330-78

ECOLOtrol CERAMIC DISC WALL HYDRANT
Encased, Anti-Siphon, Automatic Draining,
Moderate Climate, W/ Mounting Brackets

SPECIFICATION SHEET

TAG _____

Dimensional Data (inches and [mm]) are Subject to Manufacturing Tolerances and Change Without Notice



Wall Thickness In [mm]	Appr. wt.lbs [kg]
8 [203]	6 [3]

ENGINEERING SPECIFICATION: ZURN Z1330-78

Encased Ecolotrol "anti-siphon" wall hydrant, for moderate climate and interior wall installation. Complete with integral backflow preventer, all bronze interior parts with 1/2 turn ceramic disc cartridge and combination 3/4" [19mm] female solder and 3/4" [19mm] male pipe thread inlet. Stainless steel box and hinged cover with operating key lock and "WATER" stamped on cover, complete with mounting brackets

PARTS LIST

OPTIONS (Check/specify appropriate options)

SUFFIXES

- ___ -CL Cylinder Lock
- ___ -RK Hydrant Parts Repair Kit
- ___ -RT12 Ceramic Cartridge Removal Tool (Up to 12 [305] Wall)
- ___ -34EL 3/4 [19] IP 90° Solder Inlet Elbow
- ___ -34FIP 3/4 [19] IP Straight Female Inlet Adapter

Item	Name	Quan.
14	Cartridge	1
13	Operating Tube	1
9	Operating Coupling	1
8	O-Ring	1
7	O-Ring	2
6	Retaining Washer	1

* Regularly furnished unless otherwise specified.