



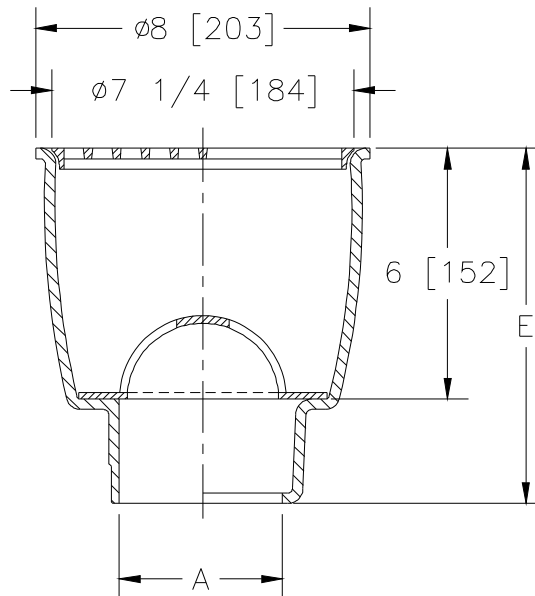
Z1960-2

8 [203] DIAMETER A.R.E. SANI-FLOR RECEPTOR
6 [152] SUMP DEPTH WITH 1/2 GRATE

SPECIFICATION SHEET

TAG _____

Dimensional Data (inches and [mm]) are Subject to Manufacturing Tolerances and Change Without Notice



A Pipe Size In. [mm]	Approx. Wt. Lbs. [kg]	Grate Open Area Sq. In. [cm ²]
2,3,4 [51,76,102]	23 [10]	21 [136]

ENGINEERING SPECIFICATION: ZURN Z-1960-2

Sani-Flor Receptor 8" [203mm] diameter x 6" [152mm] deep cast iron body and 1/2 round square holed light duty grate, with white acid resisting porcelain enamel interior and top, black groud enamel exterior coating, complete with aluminum anti-splash interior bottom dome strainer.

OPTIONS (Check/specify appropriate options)

PIPE SIZE

3,4 [76,102]
2,3,4 [51,76,102]
2,3,4 [51,76,102]

(Specify size/type) **OUTLET**

___ IC Inside Caulk
___ NH No-Hub
___ NH Neo-Loc

'E' BODY HT. DIMENSION

Z	ZN
8-1/2 [216]	9 [229]
8-1/2 [216]	9 [229]
8 [203]	8-7/16 [214]

PREFIXES

___ Z Cast Iron Body with White A.R.E. Interior*
___ ZN Cast Iron Body with White A.R.E. Interior, 8-1/2 [216] Nickel Bronze Frame and Full Grate with 1/4 [6] Square Openings

SUFFIXES

___ -K Anchor Flange With Seepage Holes
___ -KC Anchor Flange With Seepage Holes and Clamp Collar
___ -LD Less Internal Bottom Dome Strainer
___ -P 1/2 [13] Threaded Trap Primer Connection (See Z1023)
___ -T Square Frame and Round Grate with 1/4 [6] Square Openings (ZN Only)
___ -TC Neo-Loc Test Cap Gasket (2,3,4 [51,76,102] NL Bottom Outlet Only)
___ -11 Vandal-Proof Secured Grate (ZN Only)
___ -23 Aluminum Bucket
___ -25 White A.R.C. Bucket
___ -31 Stainless Steel Mesh Liner for Bucket
___ -32 Aluminum Dome Strainer
___ -33 White A.R.C. Anti-Splash Bottom Dome Strainer

* Regularly furnished unless otherwise specified.