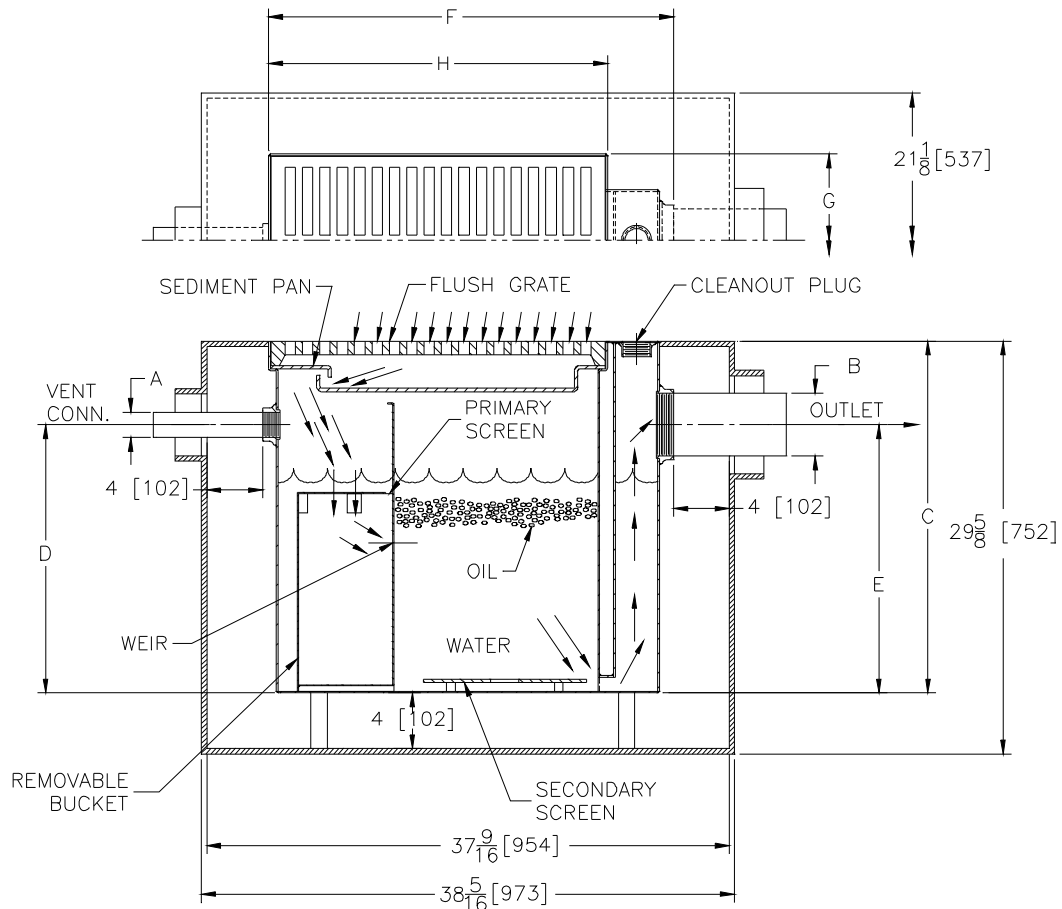




Z-1189-80 OIL/SEDIMENT INTERCEPTOR

Dimensional Data (inches and [mm]) are Subject to Manufacturing Tolerances and Change Without Notice



Size	Sludge Capacity Lbs. [kg]	Grate Open Area [cm ²]	No. of Grates	No. of Pans	Approx. Wt. Lbs. [kg]	A Vent Size	B Pipe Size	Dimension In Inches					
								C	D	E	F	G	H
12	12 [5]	49 [316]	1	1	70 [32]	----	2 [50]	15 [381]	----	10 1/2 [267]	17 1/8 [435]	11 3/8 [289]	12 3/8 [314]
60	60 [27]	131 [845]	1	1	175 [79]	2 [51]	4 [75]	25 1/4 [641]	19 1/4 [489]	17 5/8 [448]	29 1/8 [740]	12 3/8 [314]	24 3/8 [619]
100	100 [45]	262 [1690]	2	1	280 [127]	2 [51]	4 [75]	33 [838]	27 [686]	22 [559]	29 1/8 [740]	24 3/8 [619]	24 3/8 [619]
200	200 [91]	393 [2535]	3	1	370 [168]	2 [51]	4 [75]	33 [838]	27 [686]	22 [559]	41 1/8 [1044]	24 3/8 [619]	36 3/8 [924]

ENGINEERING SPECIFICATION: ZURN Z-1189-80 Acid Resistant Coated interior and exterior, fabricated steel double containment oil/sediment interceptor, with heavy duty Dura-Coated cast iron grate, removable sediment tray, bucket and secondary screen, internal vent connection.

PREFIXES

___ Z- Acid Resistant Coated Fabricated Steel*

SUFFIXES

___ -K Anchor flange 1 3/4 [44] down from top and 2 [51] wide.

___ -KC Anchor flange 1 3/4 [44] down from top and 2 [51] wide with seepage holes and clamp collar.

*REGULARLY FURNISHED UNLESS OTHERWISE SPECIFIED

REV.	DATE: 4/12/99	C.N. NO. 82425
DWG. NO. P-14705 PRODUCT NO. Z-1189-80		