



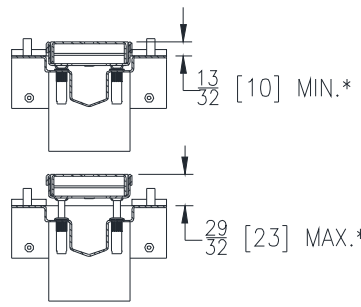
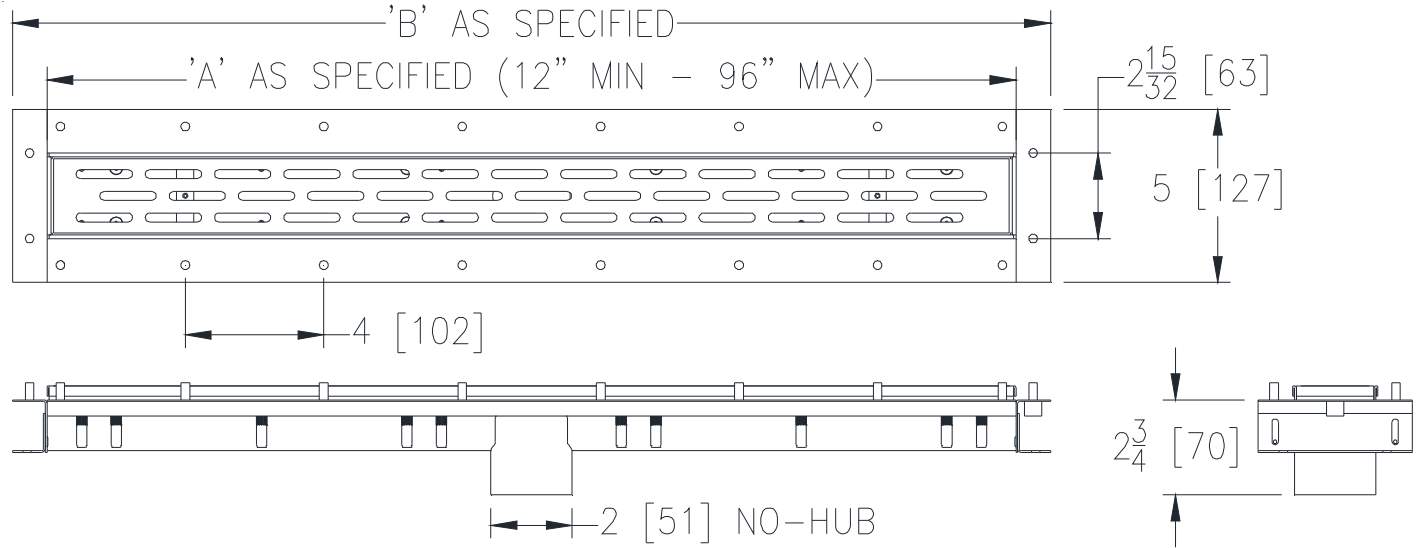
ZS880-76

STAINLESS STEEL LINEAR SHOWER DRAIN W/ ANCHOR FLANGE AND CLAMP COLLAR

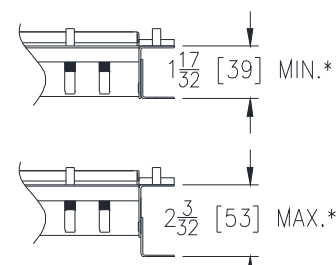
SPECIFICATION SHEET

TAG _____

Dimensional Data (inches and [mm]) are Subject to Manufacturing Tolerances and Change Without Notice



FRAME ADJUSTMENT RANGE



ANCHORING SUPPORT LEG ADJUSTMENT RANGE

| A | B |
|---|---|
| | |

**PAT. NO.
8,347,424**

ENGINEERING SPECIFICATION: ZS880-76

All Type 304 (CF8) Fabricated Stainless Steel Linear Shower Drain. Complete with vertically adjustable anchoring support legs, anti-ponding V-shaped channel with 2" [51 mm] No-Hub center outlet, adjustable secured leveling frame with built-in tile edge, integral membrane flange and clamping collar for waterproofing membrane, and secured, light-duty, slotted heel-proof grate. Drain is designed for installation in a minimum 2" [51 mm] concrete pour and can be adjusted to accommodate 1/4" [6mm] and 3/8" [10mm] finished tile thicknesses.

OPTIONS (Check/specify appropriate options)

PREFIXES

- ___ ZS All Type 304 (CF8) Stainless Steel*
- ___ ZR All Type 304 (CF8) Stainless Steel w/ Oil-Rubbed Bronze Finish

GRATE OPTIONS

- ___ -BW Basket Weave Grate
- ___ -DB Decorative Block Grate
- ___ -SG Serenity Grate
- ___ -TG Tile In-Lay Grate
- ___ -WG Wave Grate

SUFFIXES

- ___ -2 Two Bottom Outlets (2 [51] No-Hub, Not Available on Size -12)
- ___ -2IP 2 [51] Female IP Threaded Outlet
- ___ -3 Three Bottom Outlets (2 [51] No-Hub, Not Available on Size -12)
- ___ -EO End Bottom Outlet (2 [51] No-Hub, Not Available on Size -12)
- ___ -FS Outlet Filter Screen
- ___ -LB Lower Body With Membrane Clamp Collar
- ___ -SO Side Outlet (2 [51] No-Hub), Not available with -LB Option

* Regularly furnished unless otherwise specified.