



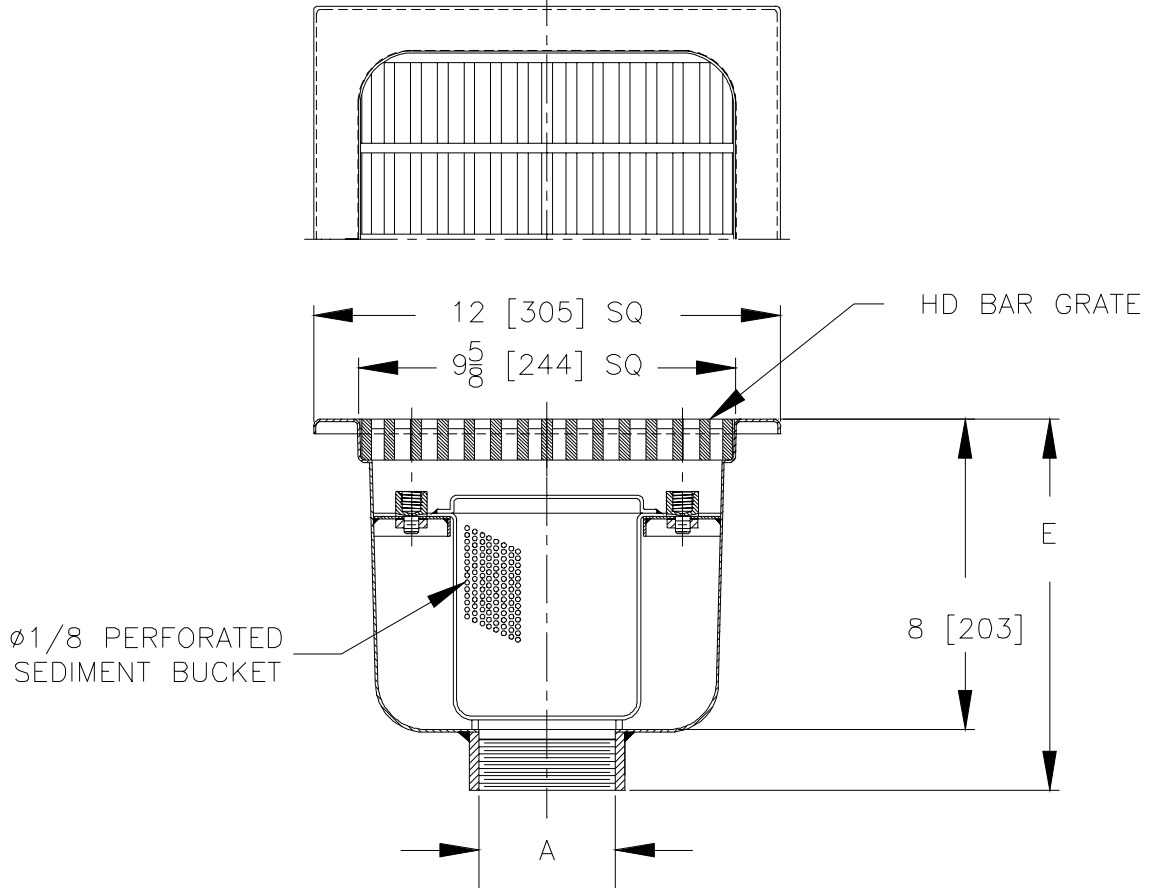
# Z-1751-124

SPECIFICATION SHEET

## 12" X 12" [305 X 305] SANI-FLOR RECEPTOR 8" [203] SUMP DEPTH

TAG \_\_\_\_\_

Dimensional Data (inches and [ mm ]) are Subject to Manufacturing Tolerances and Change Without Notice



A- Pipe Size In.	Approx. Wt. Lbs. [kg]	Grate Open Area Sq. In. [cm <sup>2</sup> ]
2-3-4 [50-75-100]	19 [9]	23 [148]

**ENGINEERING SPECIFICATION: ZURN Z-1751-124**  
12 x 12 x 8 [305 x 305 x 203] deep, 14 gage, All Type 304 (CF8) Stainless Steel light duty Sani-Flor receptor with heavy duty bar grate and removable perforated sediment bucket with lift handle. Retro-fittable with non-tilt, locking, gasketed solid cover.

**OPTIONS** (Check/specify appropriate options)

**PIPE SIZE**

- 2 thru 4 [50 thru 100]
- 2 [50]
- 3 [75]
- 4 [100]
- 2 thru 4 [50 thru 100]
- 2 thru 4 [50 thru 100]

(Specify size/type) **OUTLET**

- \_\_\_\_\_ IC Inside Caulk
- \_\_\_\_\_ IP Threaded
- \_\_\_\_\_ IP Threaded
- \_\_\_\_\_ IP Threaded
- \_\_\_\_\_ NH No-Hub
- \_\_\_\_\_ NL Neo-Loc

**'E' BODY HT. DIM.**

- 10 9/16 [268]
- 9 5/16 [237]
- 9 9/16 [243]
- 10 1/16 [256]
- 10 1/16 [256]
- 9 13/16 [249]

**PREFIXES**

- \_\_\_\_\_ Z- Type 304 (CF8) Stainless Steel Body\*
- \_\_\_\_\_ ZM- Type 316 (CF8M) Stainless Steel

**SUFFIXES**

- \_\_\_\_\_ -HP Heelproof Grate
- \_\_\_\_\_ -P 1/2 Trap Primer Connection

REV.	DATE: 7/02/01	C.N. NO. 87717
DWG. NO. P-14835 PRODUCT NO. Z-1751-124		

\*REGULARLY FURNISHED UNLESS OTHERWISE SPECIFIED