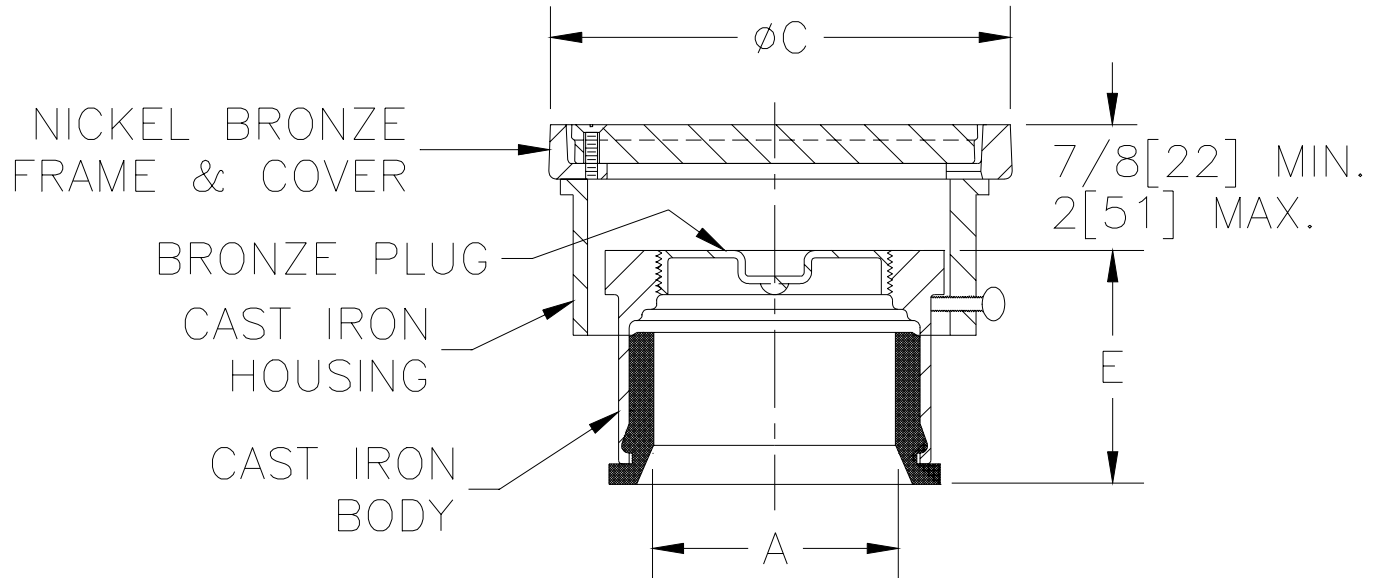




# Z-1406-77

## CLEANOUT FOR CAULKING TO HUB

Dimensional Data (inches and [ mm ]) are Subject to Manufacturing Tolerances and Change Without Notice



Dimensions In Inches		E	Approx. Wt. Lbs. [kg]
A-Pipe Size	C		
2 [50]	5 1/8 [130]	3 1/2 [89]	6 [3]
3 [75]	6 1/8 [156]	3 5/8 [92]	9 [4]
4 [100]	7 1/8 [181]	3 5/8 [92]	12 [6]
5 [125]	8 1/4 [210]	3 3/4 [95]	16 [8]
6 [150]	9 1/4 [235]	3 3/4 [95]	20 [9]

**ENGINEERING SPECIFICATION:** ZURN ZN-1406-77 Adjustable floor cleanout with Neo-Loc connection. Dura-Coated cast iron body, with gas and watertight bronze plug, and dura-coated cast iron housing with round scoriated nickel bronze frame and cover adjustable to finished floor.

**OPTIONS** (Check/specify appropriate options)

**PIPE SIZE** \_\_\_\_\_ (Specify size/type) **OUTLET**

2 thru 6 [50 thru 150] \_\_\_\_\_ -NL Neoloc

**PREFIXES**

\_\_\_\_\_ ZN D.C.C.I. Body with Polished Nickel Bronze Top

**SUFFIXES**

- \_\_\_\_\_ -AR Acid Resisting Epoxy Coated Finish
- \_\_\_\_\_ -BP Bronze Plug
- \_\_\_\_\_ -CF Carpet Flange Cover
- \_\_\_\_\_ -CM Carpet Marker
- \_\_\_\_\_ -DC Duresist Cover
- \_\_\_\_\_ -DX Round ZB or ZN top with Dexotex Flange
- \_\_\_\_\_ -G Galvanized Cast Iron
- \_\_\_\_\_ -HD Heavy Duty Top (Add 3/16 [5] to 'Y' Dim. for ZB and ZN)
- \_\_\_\_\_ -SG Solid Gasketed Cover
- \_\_\_\_\_ -SM Special Marking Stamped on Top
- \_\_\_\_\_ -T Square Top

- \_\_\_\_\_ -TX Square Top Recessed for 1/8[3] Tile
- \_\_\_\_\_ -VP Vandal Proof Secured Top
- \_\_\_\_\_ -X Round Top Recessed for Tile (ZB or ZN only)

\*REGULARLY FURNISHED UNLESS OTHERWISE SPECIFIED

<b>REV. A</b>	<b>DATE: 8/20/96</b>	<b>C.N. NO. 75488</b>
<b>DWG. NO. P-14359 PRODUCT NO. Z-1406-77</b>		