



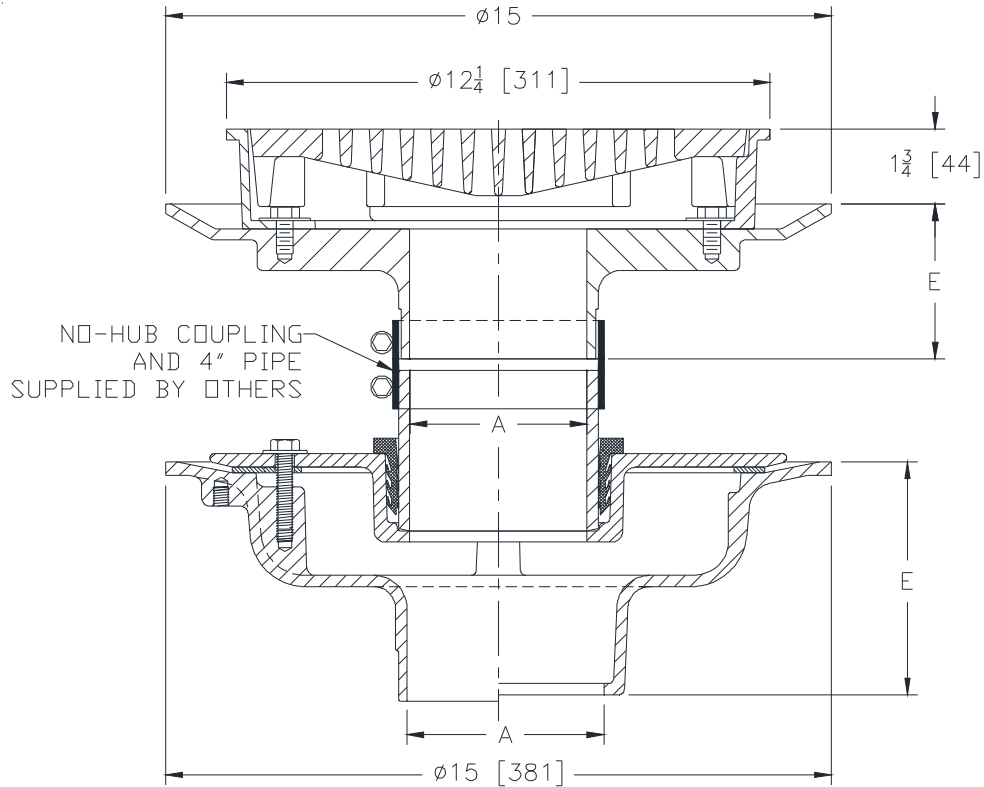
Z625-113

ISOLATION DECK WITH Z509 12 [254] HEAVY-DUTY UPPER DRAIN

SPECIFICATION SHEET

TAG _____

Dimensional Data (inches and [mm]) are Subject to Manufacturing Tolerances and Change Without Notice



A Pipe Size Inches [mm]	Approx. Wt. Lbs. [kg]	Grate Open Area Sq. In. [cm ²]
2, 3, 4 [51, 76, 102]	65 [29]	30 [194]
6 [152]		

ENGINEERING SPECIFICATION: ZURN Z625-113

Adjustable isolation deck drain, Dura-Coated cast iron lower body, upper and lower clamp collars, neoprene flex gasket, 12" [305mm] Dura-coated cast iron upper body with bottom outlet, seepage pan and combination membrane flashing clamp and frame for heavy-duty tractor grate.

OPTIONS (Check/specify appropriate options)

PIPE SIZE

- 2,3,4,6 [51,76,102,152]
- 2,3,4,6 [51,76,102,152]
- 2,3,4,6 [51,76,102,152]
- 2,3,4,6 [51,76,102,152]
- 2,3,4 [51,76,102]

(Specify size/type) OUTLET

- ___ IC Inside Caulk
- ___ IG Inside Gasket
- ___ IP Threaded
- ___ NH No-Hub
- ___ NL Neo-Loc

'E' BODY HT. DIM.

- 5-1/4 [133]
- 5-1/4 [133]
- 3-3/4 [95]
- 5-1/4 [133]
- 4-5/8 [117]

PREFIXES

- ___ Z D.C.C.I Lower and Upper Bodies

SUFFIXES

- ___ -C Underdeck Clamp (Lower Body)
- ___ -G Galvanized Cast Iron
- ___ -R Sump Receiver (Lower Body)

* Regularly furnished unless otherwise specified.