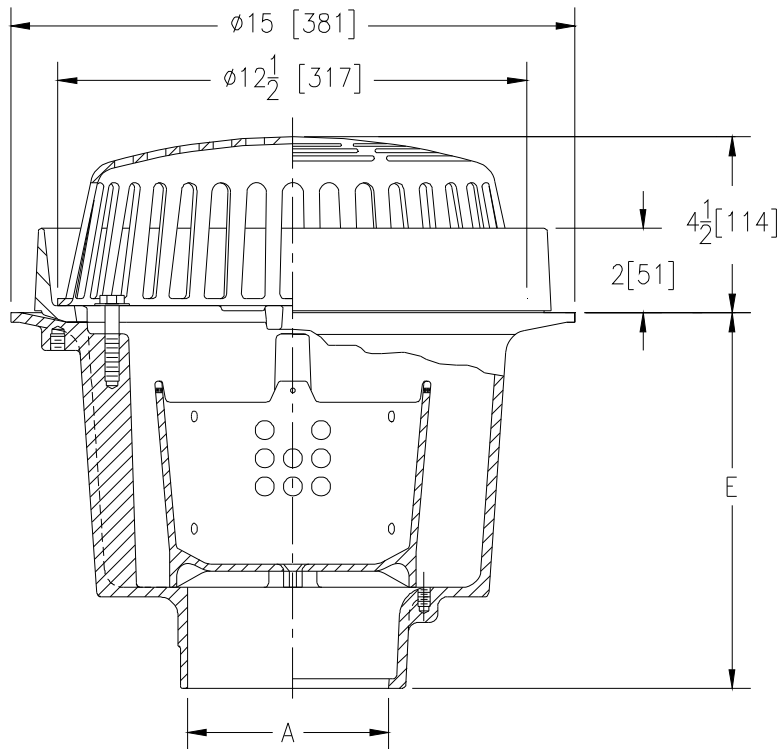




Z104-82

15" [381] DIAMETER DEEP SUMP ROOF DRAIN WITH EXTERNAL WATER DAM AND SEDIMENT BUCKET

Dimensional Data (inches and [mm]) are Subject to Manufacturing Tolerances and Change Without Notice



A- Pipe Size In.	Approx. Wt. Lbs. [kg]	Dome Open Area Sq. In. [cm ²]
3-4 [76-102]	46 [21]	103 [665]
6 [152]		

ENGINEERING SPECIFICATION: ZURN Z104-82

15 [381] Diameter roof drain. Dura-Coated cast iron deep sump body, with 2 [5] high combination membrane flashing clamp/gravel guard, aluminum sediment bucket, and low silhouette Poly-Dome.

Note: Sediment Bucket may restrict flow to outlet and should be cleaned regularly to prevent blockages.

OPTIONS (Check/specify appropriate options)

PIPE SIZE

- 3-4-6 [76-102-152]
- 3-4-6 [76-102-152]
- 3-4 [76-102]

(Specify size/type) OUTLET

- _____ IC Inside Caulk
- _____ NH No-Hub
- _____ NL Neo-loc

'E' BODY HT. DIM.

- 10 [254]
- 10 [254]
- 9-5/16 [237]

PREFIXES

- _____ Z D.C.C.I. Body with Poly-Dome*
- _____ ZA D.C.C.I. Body with Aluminum Dome
- _____ ZC D.C.C.I. Body with Cast Iron Dome
- _____ ZRB D.C.C.I. Body with Plain Bronze Dome

SUFFIXES

- _____ -AC Angular Underdeck Clamp
- _____ -AR Acid Resistant Epoxy Coated Finish
- _____ -BS Bronze Mesh Screen Over Dome
- _____ -C Underdeck Clamp
- _____ -DX Dex-o-tex Flange
- _____ -E Static Extension 1 [25] thru 4 [102] (Specify Ht)
- _____ -EA Adjustable Extension Assembly
- _____ -FG Flush Grate

- _____ -G Galvanized Cast Iron
- _____ -GD Galvanized Cast Iron Dome
- _____ -HD 6 3/4 [171] High Aluminum Dome (148 Sq. In. [955 cm²] Open Area)
- _____ -R Roof Sump Receiver
- _____ -SC Secondary Clamping Collar
- _____ -SS Stainless Steel Mesh Screen Over Dome
- _____ -VP Vandal Proof Secured Top
- _____ -XJ Vertical Expansion Joint
- _____ -84 Stainless Steel Perforated Gravel Guard

* Regularly furnished unless otherwise specified.