



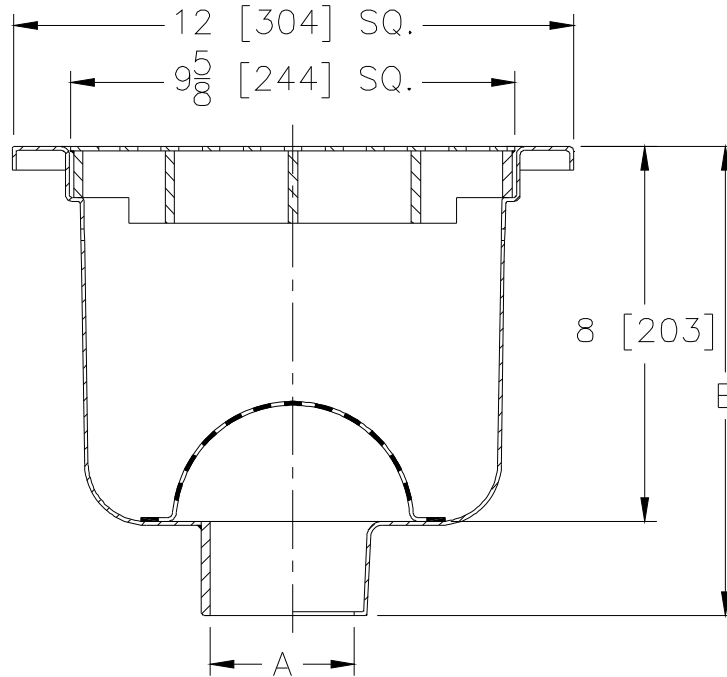
Z1751-HD

12 [305] x 12 [305] SANI-FLOR RECEPTOR 8 [203]
SUMP DEPTH W/ EXTRA HEAVY-DUTY GRATE

SPECIFICATION SHEET

TAG _____

Dimensional Data (inches and [mm]) are Subject to Manufacturing Tolerances and Change Without Notice



| A Pipe Size In. [mm] | Approx. Wt. Lbs. [kg] | Grate Open Area Sq. In. [cm ²] |
|----------------------------|-----------------------------|--|
| 2,3,4 [51,76,102] | 19 [9] | 23 [148] |
| 6 [152] | 21 [9] | 23 [148] |

ENGINEERING SPECIFICATIONS: ZURN Z1751-HD

12" [305mm] X 12" [305mm] X 8" [203mm] Deep, 16 gage, all Type 304 (CF8) stainless steel light duty Sani-Flor receptor with non tilt, loose set extra heavy duty full grate with 1/2" [13mm] square openings and anti-splash interior dome stainer.

OPTIONS (Check/specify appropriate options)

PIPE SIZE

- 3,4 [76,102]
- 2,3,4,6 [51,76,102,152]
- 2,3,4 [51,76,102]

(Specify size/type) OUTLET

- ___ IC Inside Caulk
- ___ NH No-Hub
- ___ NL Neo-Loc

'E' BODY HT. DIM.

- 10-9/16 [268]
- 10-1/16 [256]
- 9-13/16 [249]

PREFIXES

- ___ Z Type 304 (CF8) Stainless Steel Body*
- ___ ZM Type 316 (CF8M) Stainless Steel

SUFFIXES

- | | | | |
|---------|---|--------|--|
| ___ -DX | Dex-o-tex Flange | ___ -3 | 3/4 Grate |
| ___ -K | Anchor Flange w/ Seepage Holes | ___ -4 | Full Grate w/ 3 [76] Square Center Opening |
| ___ -KC | Anchor Flange w/ Seepage Holes and Clamp Collar | ___ -5 | Grate w/ 4 [102] Dia. x 3 3/4 [95] High Type 304 Stainless Steel Funnel |
| ___ -P | 1/2 [13] Trap Primer Connection | ___ -8 | Grate w/ 9 [229] Dia. x 3 1/2 [90] High Type 304 Stainless Steel Oval Funnel |
| ___ -TC | Neo-Loc Test Cap Gasket (2,3,4 [51,76,102] NL Bottom Outlet Only) | | |
| ___ -VP | Vandal-Proof Secured Top | | |
| ___ -Y | Sediment Bucket | | |
| ___ -YS | Suspended Sediment Bucket | | |
| ___ -2 | 1/2 Grate | | |

* Regularly furnished unless otherwise specified.