



# Z100-248

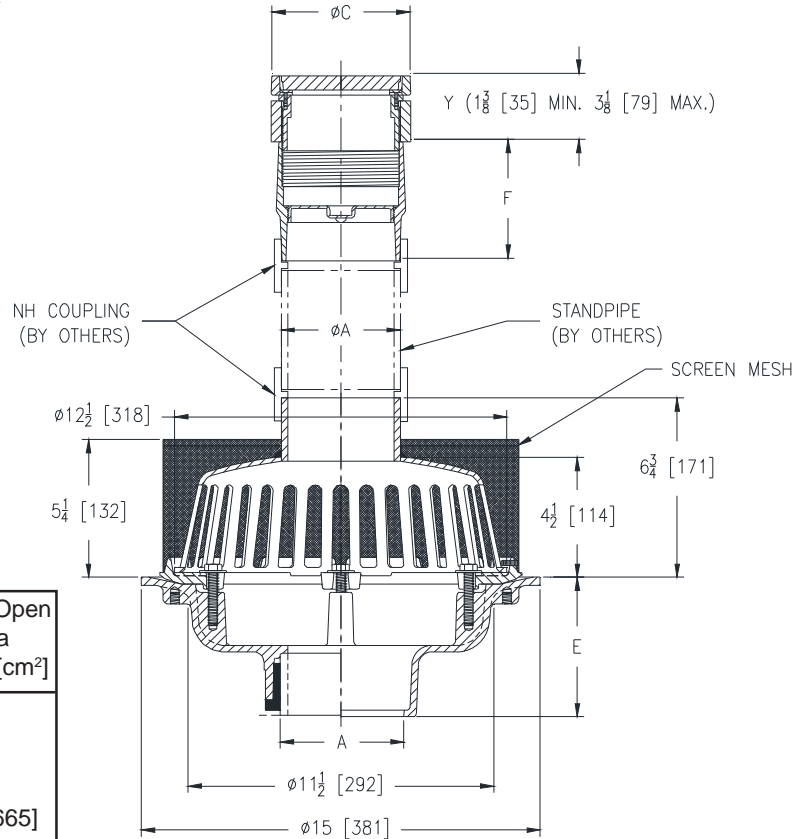
15" [381] DIAMETER ROOF DRAIN  
W/ HEAVY-DUTY ADJUSTABLE FLOOR CLEANOUT

SPECIFICATION SHEET

TAG \_\_\_\_\_

Dimensional Data (inches and [ mm ]) are Subject to Manufacturing Tolerances and Change Without Notice

**ENGINEERING SPECIFICATION: ZURN Z100-248**  
15" [381mm] Diameter Roof Drain, Dura-Coated cast iron body, combination membrane flashing clamp/gravel guard, low silhouette cast iron dome with pipe coupling and stainless steel mesh screen. Complete with "Level-Trol" Adjustable floor cleanout, Dura-Coated cast iron body with ABS tapered thread plug and round scoriated cast iron heavy-duty secured top (Specify finish Z, ZB, ZN, ZS) adjustable to finished floor.



Dimension In Inches			Approx. Wt. Lbs. [kg.]	Dome Open Area Sq. In. [cm <sup>2</sup> ]
A-Pipe Size	C	F		
No-Hub				
2 [51]	4-1/8 [105]	4-5/8 [117]	35 [16]	103 [665]
3 [76]	4-1/8 [105]	4-3/4 [121]	36 [16]	
4 [102]	5-1/8 [130]	4-3/4 [121]	38 [17]	
5 [127]	7-1/4 [184]	7-1/2 [191]	45 [20]	
6 [152]	8-1/4 [210]	4-3/4 [121]	50 [23]	
8 [203]	9-1/4 [235]	7-1/2 [191]	57 [26]	

**OPTIONS** (Check/specify appropriate options)

**PREFIXES**

- \_\_\_\_\_ Z Dura Coated Cast Iron\*
- \_\_\_\_\_ ZB D.C.C.I. w/ Polished Bronze Light-Duty Top (Deduct 1/2 [13] from 'Y' Dim.)
- \_\_\_\_\_ ZN D.C.C.I. w/ Polished Nickel Bronze Light-Duty Top (Deduct 1/2 [13] from 'Y' Dim.)
- \_\_\_\_\_ ZS D.C.C.I. w/ Polished Stainless Steel Heavy-Duty Top (Add 3/16 [5] to 'Y' Dim.)

**PIPE SIZE** (Specify size/type for Bottom Drain Only)

- 2,3,4,6,8 [51,76,102,152,203]
- 2,3,4,6,8 [51,76,102,152,203]
- 2,3,4,6,8 [51,76,102,152,203]
- 2,3,4 [51,76,102]
- 6 [152]

**OUTLET TYPE**

- \_\_\_\_\_ IC Inside Caulk
- \_\_\_\_\_ P Threaded
- \_\_\_\_\_ NH No-Hub
- \_\_\_\_\_ NL Neo-Loc
- \_\_\_\_\_ NL Neo-Loc

**E BODY HT. DIM.**

- 5-1/4 [133]
- 3-3/4 [95]
- 5-1/4 [133]
- 4-9/16 [116]
- 5-7/16 [112]

**SUFFIXES**

- \_\_\_\_\_ -AC Angular Underdeck Clamp\*\*
- \_\_\_\_\_ -BP Bronze Plug
- \_\_\_\_\_ -C Underdeck Clamp\*\*
- \_\_\_\_\_ -DC Duresist Cover
- \_\_\_\_\_ -DE Deck Extension\*\*
- \_\_\_\_\_ -DP Top-Set® Deck Plate (Replaces both the -C and -R)\*\*
- \_\_\_\_\_ -E Static Extension 1 [25] thru 4 [102] (Specify Ht.)\*\*
- \_\_\_\_\_ -EA Adjustable Extension Assembly\*\* 2-1/8 [54] thru 3-1/2 [89]
- \_\_\_\_\_ -EB Top-Set® Adjustable Extension Assembly\*\*
- \_\_\_\_\_ -R Roof Sump Receiver\*\*
- \_\_\_\_\_ -VP Vandal-Proof Secured Top
- \_\_\_\_\_ -85 Stainless Steel Perforated Extension\*\*
- \_\_\_\_\_ -90 90° Threaded Side Outlet Body\*\* (2 [51] thru 6 [152])

\*\* Options only available on the Lower Body

\* Regularly furnished unless otherwise specified.