

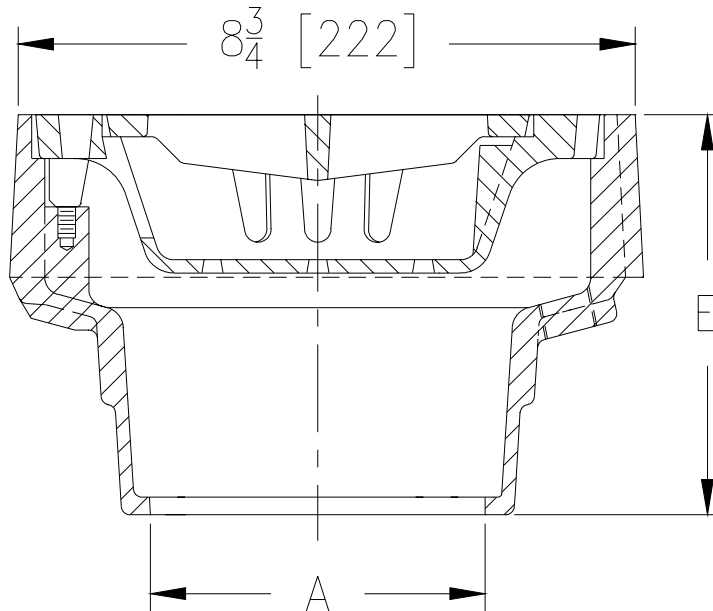


Z-551-83

9" [229] DIAMETER MEDIUM DUTY DRAIN WITH SUR-SET BUCKET

TAG _____

Dimensional Data (inches and [mm]) are Subject to Manufacturing Tolerances and Change Without Notice



A- Pipe Size In.	Approx. Wt. Lbs. [kg]	Grate Open Area Sq. In. [cm ²]
2-3-4 [50-75-100]	11 [5]	9 [58]

ENGINEERING SPECIFICATION: ZURN Z-551-83 9" [229] Diameter top drain, Dura-Coated cast iron body with bottom outlet, and medium duty cast iron slotted grate with sur-set bucket.

OPTIONS (Check/specify appropriate options)

PIPE SIZE

- 2, 3, 4 [50, 75, 100]
- 2, 3, 4 [50, 75, 100]
- 2, 3, 4 [50, 75, 100]
- 2, 3, 4 [50, 75, 100]
- 2, 3, 4 [50, 75, 100]

(Specify size/type) **OUTLET**

- _____ IC Inside Caulk
- _____ IG Inside Caulk w/Sealtrol Gskt.
- _____ IP Threaded
- _____ NH No-Hub
- _____ NL Neo-Loc

'E' BODY HT. DIM.

- 5 3/4 [146]
- 5 3/4 [146]
- 4 [102]
- 5 3/4 [146]
- 4 15/16 [125]

PREFIXES

- _____ Z- D.C.C.I. Body and Grate*
- _____ ZB- D.C.C.I. Body with Polished Bronze Grate (Add 3/16 [5] to 'E' Dim.)
- _____ ZN- D.C.C.I. Body with Polished Nickel Bronze Grate (Add 3/16 [5] to 'E' Dim.)

SUFFIXES

- _____ -AR Acid Resisting Epoxy Coated Interior
- _____ -D Dome Grate
- _____ -G Galvanized Cast Iron
- _____ -H Hinged Gate
- _____ -P Trap Primer Connection
- _____ -SS Stainless Mesh Liner for Bucket
- _____ -TS Top Secured with Slotted Screws
- _____ -V Backwater Valve (See Z-1099)
- _____ -VP Vandal Proof Secured Top
- _____ -90 90° Threaded Side Outlet Body (2 thru 4 [50 thru 100])

*REGULARLY FURNISHED UNLESS OTHERWISE SPECIFIED

REV.	DATE: 11/14/97	C.N. NO. 79099
DWG. NO. P-14572		PRODUCT NO. Z-551-83