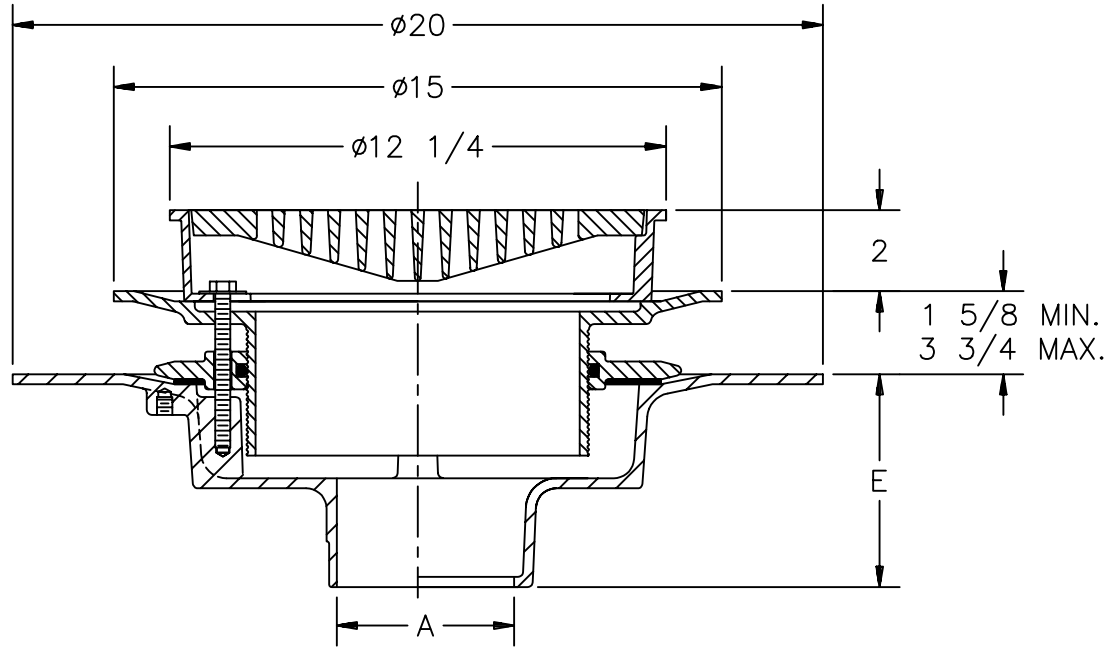




# Z-107-87 PROM-DECK DRAIN WITH WIDE FLANGE BODY

TAG \_\_\_\_\_

Dimensions Subject to Manufacturing Tolerances



A- Pipe Size In.	Approx. Wt. Lbs	Grate Open Area Sq. In.
2-3-4	45	29
5-6		
8	47	
10		

**ENGINEERING SPECIFICATION:** ZURN Z-107-87 Prom-Deck drain, Dura-Coated cast iron wide flange body with combination membrane flashing clamp and frame for anti-tilt heavy duty grate with secondary clamping collar with o-ring and adjustable extension.

**OPTIONS** (Check/specify appropriate options)

**OUTLET** (Specify type)

- \_\_\_\_\_ **IC** Inside Caulk
- \_\_\_\_\_ **IG** Inside Caulk w/Sealtrol Gskt.
- \_\_\_\_\_ **IP** Threaded
- \_\_\_\_\_ **NH** No-Hub
- \_\_\_\_\_ **NL** Neo-Loc

**PIPE SIZE** (Specify size)

- \_\_\_\_\_ 2" thru 6", 8", 10"
- \_\_\_\_\_ 2" thru 4", 6"
- \_\_\_\_\_ 2" thru 6", 8", 10"
- \_\_\_\_\_ 2" thru 6", 8", 10"
- \_\_\_\_\_ 2" thru 4"

**'E' BODY HT. DIMENSION**

- 5-1/4"
- 5-1/4"
- 3-3/4"
- 5-1/4"
- 4-5/8"

**PREFIXES**

- \_\_\_\_\_ **Z-** D.C.C.I. Body with Grate\*
- \_\_\_\_\_ **ZB-** D.C.C.I. Body with Polished Bronze Grate
- \_\_\_\_\_ **ZN-** D.C.C.I. Body with Polished Nickel Bronze Grate

**SUFFIXES**

- \_\_\_\_\_ **-C** Underdeck Clamp
- \_\_\_\_\_ **-DG** Duresist Grate
- \_\_\_\_\_ **-G** Galvanized Cast Iron
- \_\_\_\_\_ **-R** Roof Sump Receiver
- \_\_\_\_\_ **-VP** Vandal Proof Secured Top
- \_\_\_\_\_ **-XJ** Vertical Expansion Joint (See Z-190)
- \_\_\_\_\_ **-90** 90° Threaded Side Outlet Body (2" thru 6") (Previously Z-153)

\*REGULARLY FURNISHED UNLESS OTHERWISE SPECIFIED

REV. _____	DATE: <u>1/9/95</u>	C.N. NO. <u>70552</u>
<b>DWG. NO.</b> <u>P-14127</u>	<b>PRODUCT NO.</b> <u>Z-107-87</u>	

ZURN INDUSTRIES, INC. ♦ SPECIFICATION DRAINAGE OPERATION ♦ 1801 Pittsburgh Ave. ♦ Erie, PA 16514

Phone: 814/455-0921 ♦ Fax: 814/454-7929 ♦ World Wide Web: www.zurn.com

In Canada: ZURN INDUSTRIES LIMITED ♦ 3544 Nashua Drive ♦ Mississauga, Ontario L4V1L2 ♦ Phone: 905/405-8272 Fax: 905/405-1292