



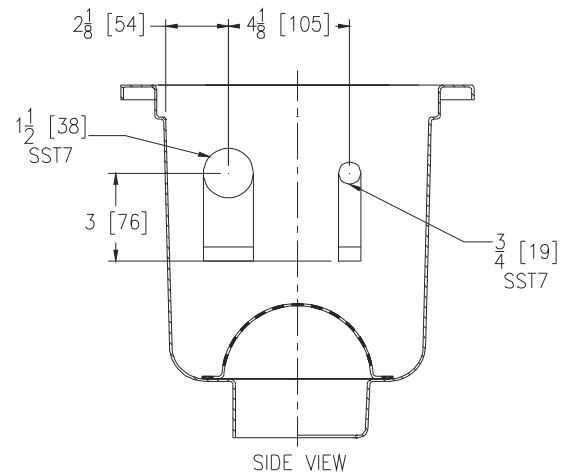
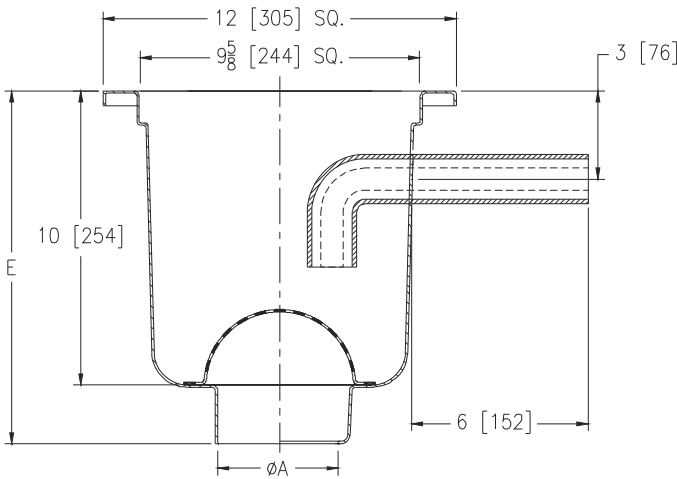
Z1752-149

12 X 12 [305 X 305] SANI-FLOR RECEPTOR
 10 [254] SUMP DEPTH WITH 1-1/2 [38] & 3/4 [19]
 STAINLESS STEEL SIDE INLETS, LESS GRATE

SPECIFICATION SHEET

TAG _____

Dimensional Data (inches and [mm]) are Subject to Manufacturing Tolerances and Change Without Notice



A- Pipe Size In.[mm]	Approx. Wt. Lbs. [kg]	Grate Open Area Sq. In. [cm ²]
2,3,4 [51,76,102]	22 [10]	23 [148]
6 [152]	23 [10]	23 [148]

ENGINEERING SPECIFICATION: ZURN Z1752-149

12" x 12" x 10" [305mm x 305mm x 254mm] deep, 16 gage, All Type 316 (CF8M) Stainless Steel with 3/4" [19mm] & 1-1/2" [38mm] SST7 piping connections with elbow and anti-splash stainless steel interior dome strainer.

OPTIONS (Check/specify appropriate options)

PIPE SIZE

- 2,3,4 [51,76,102]
- 2 [51]
- 3 [76]
- 4 [102]
- 2,3,4,6 [51,76,102,152]
- 2,3,4 [51,76,102]

(Specify size/type) OUTLET

- _____ IC Inside Caulk
- _____ IP Threaded
- _____ IP Threaded
- _____ IP Threaded
- _____ NH No-Hub
- _____ NL Neo-Loc

'E' BODY HT. DIM.

- 12-9/16 [319]
- 11-5/16 [287]
- 11-9/16 [294]
- 12-1/16 [306]
- 12-1/16 [306]
- 11-13/16 [300]

PREFIXES

- _____ ZM Type 316 (CF8M) Stainless Steel

SUFFIXES

- | | | | |
|------------|---|-----------|--|
| _____ -DX | Dex-o-tex Flange | _____ -4 | Full Grate w/ 3 [76] Square Center Opening |
| _____ -HD | Extra Heavy-Duty Grate | _____ -5 | Grate w/ 4 [102] Dia. x 3-3/4 [95] High Type 304 Stainless Steel Funnel |
| _____ -HP | Heel-Proof Grate | _____ -8 | Grate w/ 8-3/8 x 3-5/8 x 3-3/4 [213 x 92 x 95] High Type 304 Stainless Steel Oval Funnel |
| _____ -K | Anchor Flange | _____ -15 | Solid Cover |
| _____ -KC | Anchor Flange w/ Seepage Holes and Clamp Collar | _____ -16 | 1/2 Solid Cover |
| _____ -LSH | (Less) Seepage Holes | _____ -17 | 3/4 Solid Cover |
| _____ -P | 1/2 [13] Trap Primer Connection | _____ -18 | Solid Cover w/ 3 [76] Square Center Opening |
| _____ -SG | Solid Gasketed Cover | _____ -19 | Full Hinged Grate |
| _____ -TC | Neo-Loc Test Cap Gasket (2,3,4 [51,76,102] NL Bottom Outlet Only) | _____ -20 | Full Hinged Solid Cover |
| _____ -VP | Vandal-Proof Secured Top | | |
| _____ -Y | Sediment Bucket | | |
| _____ -YS | Suspended Sediment Bucket | | |
| _____ -2 | 1/2 Grate | | |
| _____ -3 | 3/4 Grate | | |

* Regularly furnished unless otherwise specified.

Zurn Industries, LLC | Specification Drainage Operation
 1801 Pittsburgh Avenue, Erie, PA U.S.A. 16502 · Ph. 855-663-9876, Fax 814-454-7929
 In Canada | Zurn Industries Limited
 3544 Nashua Drive, Mississauga, Ontario L4V 1L2 · Ph. 905-405-8272, Fax 905-405-1292
www.zurn.com

Rev. -
 Date: 06/02/16
 C.N. No. 134563
 Prod. | Dwg. No. ZN1752-149