



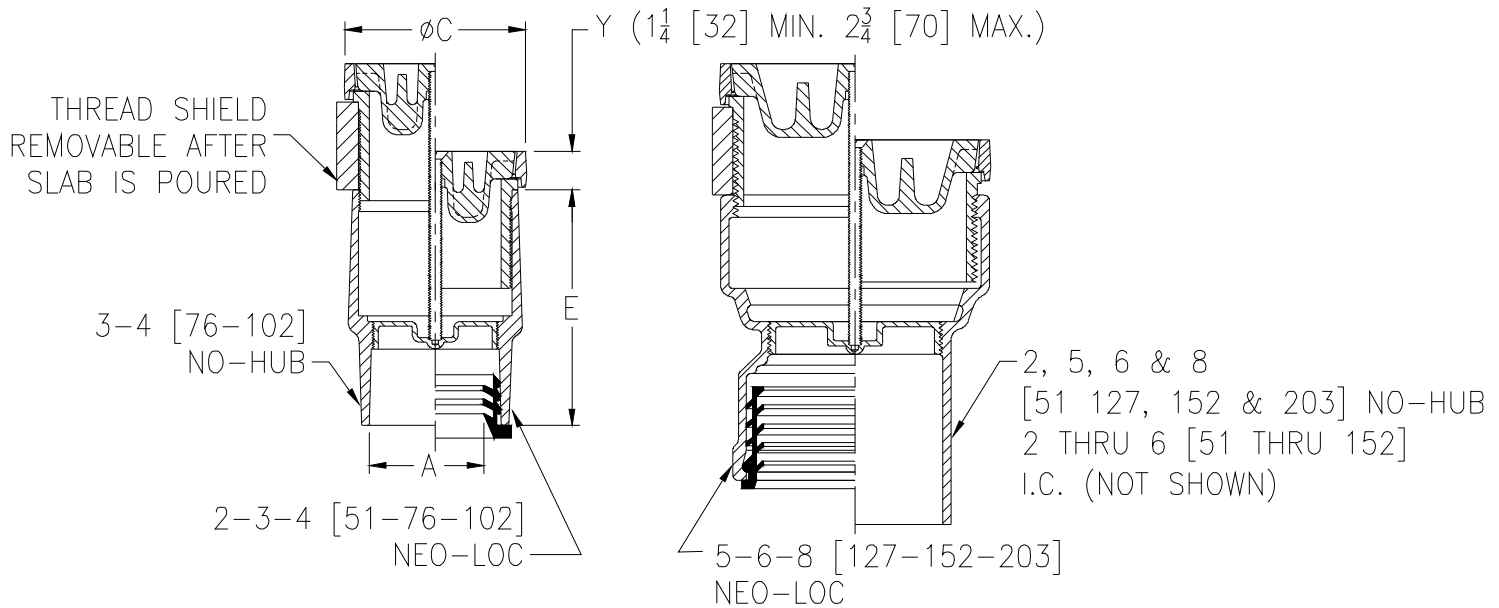
# ZN1400-Z

## "LEVEL-TROL" ADJUSTABLE CLEANOUT W/ TOP RECESSED FOR TERRAZZO

SPECIFICATION SHEET

TAG \_\_\_\_\_

Dimensional Data (inches and [ mm ]) are Subject to Manufacturing Tolerances and Change Without Notice



Dimensions In Inches			Approx. Wt. Lbs. [kg]
A-Pipe Size	C	E	
Inside Caulk			
2 [51]	6-1/8 [156]	6-7/8 [175]	6 [3]
3 [76]	6-1/8 [156]	6-7/8 [175]	8 [4]
4 [102]	7-1/4 [184]	6-7/8 [175]	9 [4]
5 [127]	8-1/4 [210]	6-7/8 [175]	12 [5]
6 [152]	9-1/4 [235]	6-7/8 [175]	15 [7]
No-Hub			
2 [51]	4-1/8 [105]	4-5/8 [117]	6 [3]
3 [76]	4-1/8 [105]	4-3/4 [121]	8 [4]
4 [102]	5-1/8 [130]	4-3/4 [121]	9 [4]
5 [127]	7-1/4 [184]	7-1/2 [191]	12 [5]
6 [152]	8-1/4 [210]	4-3/4 [121]	15 [7]
8 [203]	9-1/4 [235]	7-1/2 [191]	21 [10]
Neo-Loc			
2 [51]	4-1/8 [105]	5-3/8 [137]	6 [3]
3 [76]	5-1/8 [130]	5-3/8 [137]	8 [4]
4 [102]	5-1/8 [130]	5-3/8 [137]	9 [4]
5 [127]	7-1/4 [184]	6-1/2 [165]	12 [5]
6 [152]	8-1/4 [210]	6-1/2 [165]	15 [7]
8 [203]	9-1/4 [235]	6-1/2 [165]	21 [10]

### ENGINEERING SPECIFICATION: ZURN ZN1400-Z

"Level-Trol" Adjustable floor cleanout, Dura-Coated cast iron body, with gas and watertight ABS tapered thread plug, and round top recessed for 1-1/4" [32mm] terrazzo adjustable to finished floor.

### OPTIONS (Check/specify appropriate options)

#### PREFIXES

- \_\_\_ ZB D.C.C.I. with Polished Bronze Top
- \_\_\_ ZN D.C.C.I. with Polished Nickel Bronze Top\*

#### SUFFIXES

- \_\_\_ -AR Acid Resisting Epoxy Coated Finish
- \_\_\_ -BP Bronze Plug
- \_\_\_ -G Galvanized Cast Iron
- \_\_\_ -K Anchor Flange
- \_\_\_ -KC Anchor Flange with Clamp Collar
- \_\_\_ -SG Solid Gasketed Cover
- \_\_\_ -VP Vandal-Proof Screws

### PIPE SIZE

- 2,3,4,5,6 [51,76,102,127,152]
- 2,3,4,5,6,8 [51,76,102,127,152,203]
- 2,3,4,5,6,8 [51,76,102,127,152,203]

### (Specify size/type) OUTLET

- \_\_\_ IC Inside Caulk
- \_\_\_ NH No-Hub
- \_\_\_ NL Neo-Loc

### 'E' BODY HT. DIM.

- See Chart
- See Chart
- See Chart

\* Regularly furnished unless otherwise specified.