



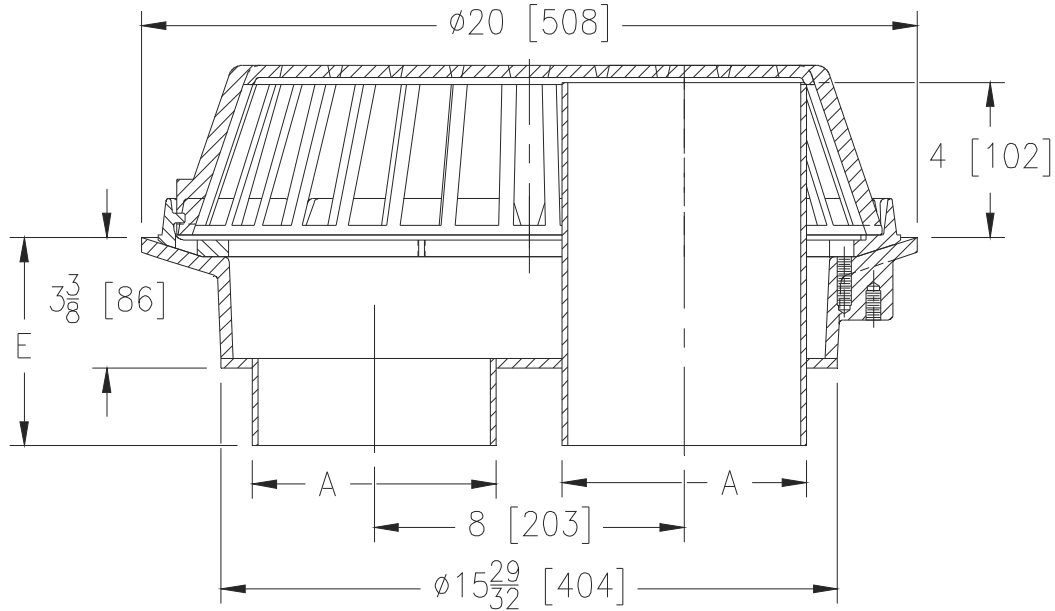
Z101-86

20 [508] DIAMETER COMBINATION PRIMARY & OVERFLOW DRAIN W/ LOW SILHOUETTE DOME & 4 [102] HIGH OVERFLOW

SPECIFICATION SHEET

TAG _____

Dimensional Data (inches and [mm]) are Subject to Manufacturing Tolerances and Change Without Notice



A- Pipe Size In. [mm]	Approx. Wt. Lbs. [kg]	Dome Open Area Sq. In. [cm ²]
3 [76]	85 [39]	216 [1394]
4 [102]	86 [39]	
6 [152]	87 [39]	

ENGINEERING SPECIFICATION: ZURN Z101-86
 20" [508mm] Diameter roof drain. Dura-Coated cast iron body, with both primary and 4" [102mm] high overflow drains, clamping collar with high gravel guard, and low silhouette dome.

PIPE SIZE
 3,4,6 [76,102,152]

(Specify size/type) **OUTLET**
 _____ NH No-Hub

E BODY HT. DIM.
 5-3/8 [137]

PREFIXES

_____ Z D.C.C.I. Body with Cast Iron Dome*

SUFFIXES

- _____ -AR Acid Resistant Epoxy Coating
- _____ -DP Top-Set® Deck Plate
- _____ -G Galvanized Cast Iron
- _____ -EB Top-Set® Adjustable Extension Assembly

* Regularly furnished unless otherwise specified.