



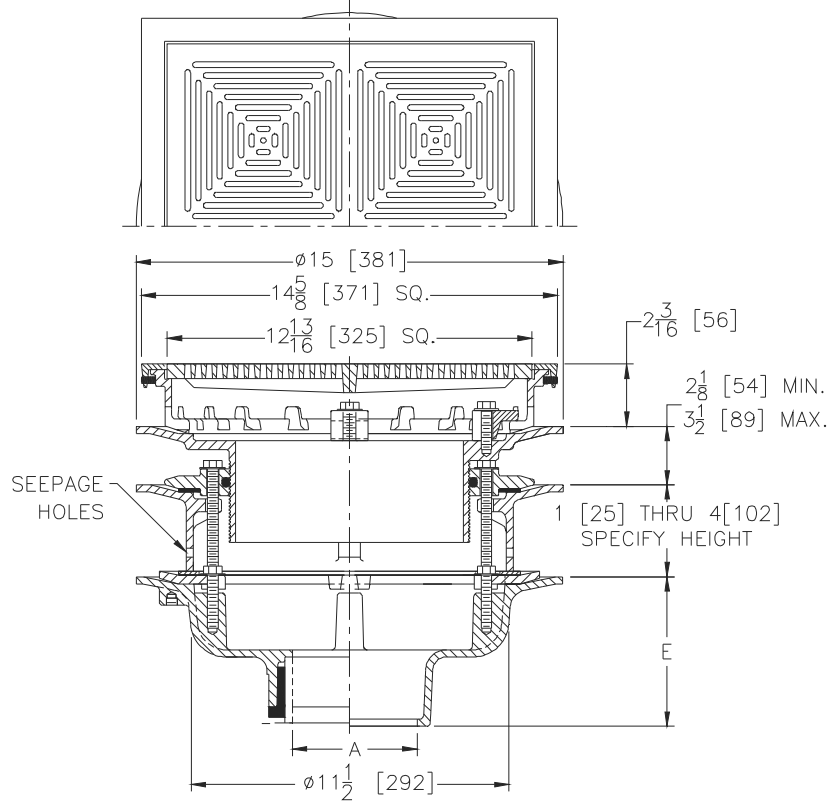
Z150-DT-E-EA-SC

14-5/8 [371] SQUARE TOP PROM-DECK DRAIN W/ DECORATIVE HEEL PROOF GRATE, STATIC EXTENSION, ADJUSTABLE EXTENSION, SECONDARY CLAMPING COLLAR, AND ROTATABLE FRAME

SPECIFICATION SHEET

TAG _____

Dimensional Data (inches and [mm]) are Subject to Manufacturing Tolerances and Change Without Notice



A Pipe Size in [mm]	Approx Wt. lbs [kg]	Grate Open Area in ² [cm ²]
2,3,4 [51,76,102]	53 [24]	56 [261]
6 [152]		
8 [203]	54 [24]	

ENGINEERING SPECIFICATION: ZURN ZN150-DT-E-EA-SC

14-5/8" [371mm] Square top Prom-Deck drain, Dura-Coated cast iron body with rotatable light duty square promenade frame with seepage openings, frame clamps, static extension with seepage holes, adjustable extension, secondary clamping collar, and decorative light duty heel-proof grate with 3/16" [5mm] wide slots.

OPTIONS (Check/specify appropriate options)

PIPE SIZE

2,3,4,6 [51,76,102,152]
 2,3,4,6, 8 [51,76,102,152,203]
 2,3,4,6, 8 [51,76,102,152,203]
 2,3,4 [51,76,102]

(Specify size/type) **OUTLET**

_____ IC Inside Caulk
 _____ IP Threaded
 _____ NH No-Hub
 _____ NL Neo-Loc

E BODY HT. DIM.

5-1/4 [133]
 3-3/4 [95]
 5-1/4 [133]
 4-5/8 [117]

PREFIXES

_____ ZB D.C.C.I. Body with Polished Bronze Top
 _____ ZN D.C.C.I. Body with Polished Nickel Bronze Top*

SUFFIXES

_____ -AR Acid Resistant Epoxy Coated
 _____ -C Underdeck Clamp
 _____ -DE Deck Extension (Includes Deck Plate -DP)
 _____ -DP Top-Set® Roof Deck Plate (Replaces both -C and -R)
 _____ -DR Top-Set® Drain Riser
 _____ -EB Top-Set Adjustable Extension Assembly
 _____ -G Galvanized Cast Iron

_____ -R Roof Sump Receiver
 _____ -S Secondary Strainer
 _____ -TC Neo-Loc Test Cap Gasket (2,3,4 [51,76,102] NL Bottom Outlet Only)
 _____ -TS Top Secured with Slotted Screws
 _____ -VP Vandal Proof Secured Top
 _____ -XJ Vertical Expansion Joint (See Z190)
 _____ -Y Sediment Bucket
 _____ -90 90° Threaded Side Outlet Body

* Regularly furnished unless otherwise specified.

Zurn Industries, LLC | Specification Drainage Operation
 1801 Pittsburgh Avenue, Erie, PA U.S.A. 16502 · Ph. 855-663-9876, Fax 814-454-7929

In Canada | Zurn Industries Limited
 3544 Nashua Drive, Mississauga, Ontario L4V 1L2 · Ph. 905-405-8272, Fax 905-405-1292

www.zurn.com

Rev. A
 Date: 10/4/2017
 C.N. No. 138382
 Prod. | Dwg. No. Z150-DT-E-EA-SC