



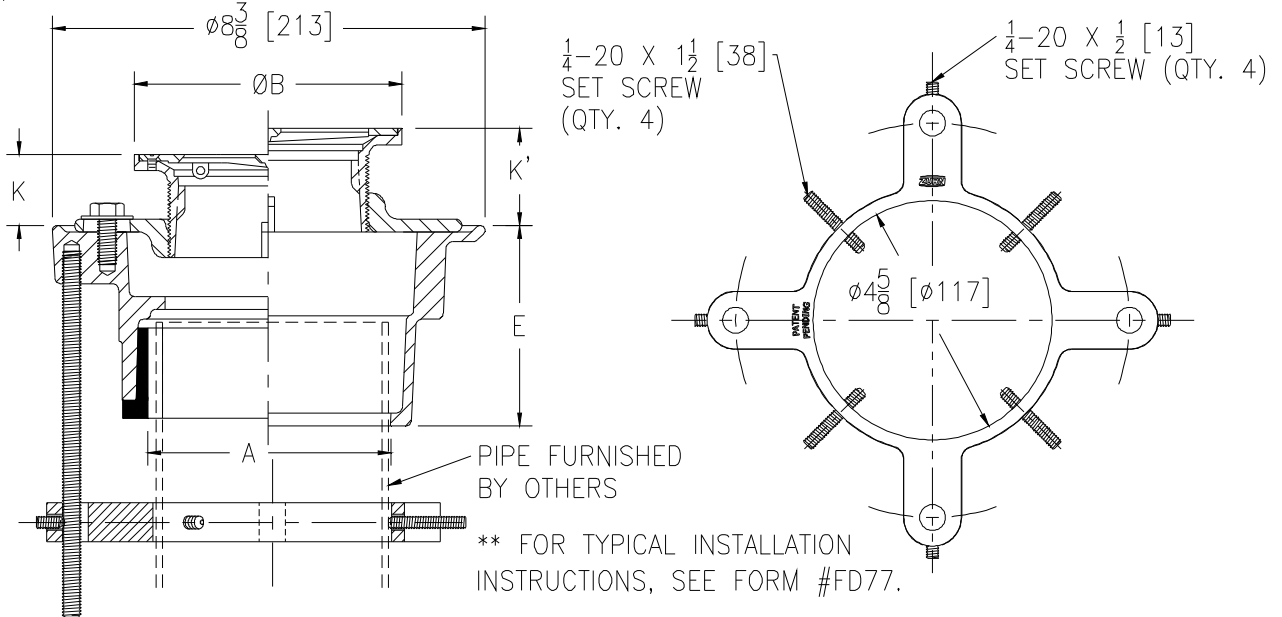
Z415C-SR

FLOOR AND SHOWER DRAIN W/"TYPE C" STRAINER AND STABILIZER RING

SPECIFICATION SHEET

TAG _____

Dimensional Data (inches and [mm]) are Subject to Manufacturing Tolerances and Change Without Notice



Dimensions in inches [mm]						Approx Wt. lbs [kg]	Strainer Open Area in ² [cm ²]
A Pipe Size	B Strainer Dia.	K		K'			
		Min	Max	Min	Max		
2,3 [51,76]	5 [127]	1 [25]	1-1/2 [38]	1-3/32 [28]	2-1/4 [57]	13 [6]	8 [52]
2,3,4 [51,76,102]	6 [152]		1-25/32 [45]	1-13/32 [36]	2-17/32 [64]	15 [7]	9 [58]
2,3,4 [51,76,102]	7 [178]	1-5/32 [30]	2-1/8 [54]	1-23/32 [44]	2-7/8 [73]	16 [7]	12 [77]
3,4 [76,102]	8 [203]			1-3/4 [44]		18 [8]	18 [116]

ENGINEERING SPECIFICATION: ZURN ZN415C-SR

Floor and shower drain, Dura-Coated cast iron body with bottom outlet, combination invertible membrane clamp and adjustable collar with seepage slots and "TYPE C" polished, hinged nickel bronze, light-duty strainer. Complete with Dura-Coated cast iron floor drain stabilizer ring with four 1/4-20 x 1/2" [13mm] securing screws to 3/8-16 x 7" [178mm] threaded rods and four 1/4-20 x 1-1/2" [38mm] securing screws to outlet piping.

OPTIONS (Check/specify appropriate options)

PIPE SIZE

2,3,4 [51,76,102]
2 [51]
3 [76]
4 [102]
2,3,4 [51,76,102]
2,3,4 [51,76,102]

(Specify size/type) OUTLET

_____ IC Inside Caulk
_____ IP Threaded
_____ IP Threaded
_____ IP Threaded
_____ NH No-Hub
_____ NL Neo-Loc

E BODY HT. DIM.

4-3/16 [106]
2-7/16 [62]
2-3/4 [70]
2-13/16 [71]
3-13/16 [97]
3-7/8 [98]

PREFIXES

_____ ZB D.C.C.I. Body with Polished Bronze Top
_____ ZN D.C.C.I. Body with Polished Nickel Bronze Top*

SUFFIXES

_____ -AR Acid Resistant Epoxy Coated Cast Iron
_____ -CP Chrome-Plated Bronze Top
_____ -G Galvanized Cast Iron
_____ -P Trap Primer Connection (Specify 1/2 [13] or 3/4 [19])
_____ -TC Neo-Loc Test Cap Gasket (2,3,4 [51,76,102] NL Bottom Outlet Only)
_____ -U 1 - 3 [25 - 76] High Extension Adapter
_____ -V Backwater Valve
_____ -VP Vandal Proof Secured Top
_____ -Y Sediment Bucket

* Regularly furnished unless otherwise specified.