



Z1360-82

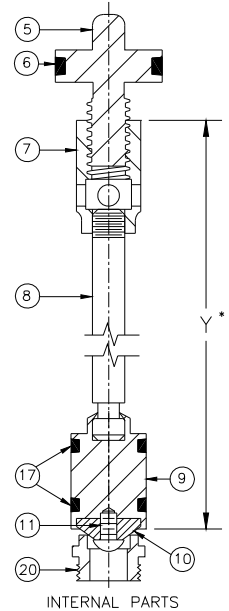
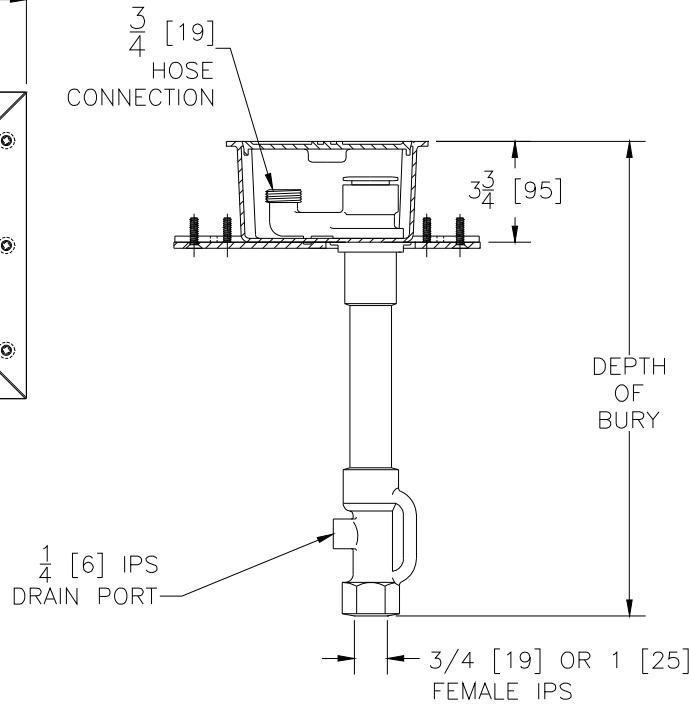
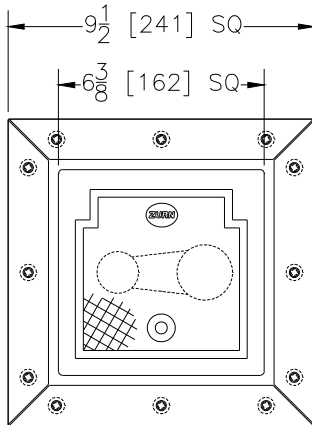
GROUND HYDRANT

Encased, Flush Type, Non-Freeze

SPECIFICATION SHEET

TAG _____

Dimensional Data (inches and [mm]) are Subject to Manufacturing Tolerances and Change Without Notice



Depth of Bury Feet	Approx. Wt. Lbs. [kg]
2 [610]	17 [8]
3 [914]	21 [10]
4 [1219]	25 [11]
5 [1524]	33 [15]
6 [1829]	39 [18]
7 [2134]	43 [20]
8 [2438]	47 [21]
9 [2743]	52 [24]
10 [3048]	56 [25]

ENGINEERING SPECIFICATION: ZURN Z1360-82

Encased, non-freeze hydrant with flashing flange with clamping collar, for flush with grade or finished (non-traffic) floor installation. Complete with galvanized steel casing, all bronze interior parts, bronze seat and replaceable seat washer, non-turning operating rod with free-floating compression closure valve with 3/4 [19] or 1 [25] connection. Plain deep bronze box and scoriated cover with operating key lock. Hydrant is equipped with a tapped 1/4 [6] drain port in valve housing.

Note:

- IMPORTANT** Hydrant must be opened one turn to seal drain port during use.

OPTIONS (Check/specify appropriate options)

SUFFIXES

- _____ **-BC** Bronze Casing
- _____ **-CI** D.C.C.I. Box and Cover
- _____ **-DP12** 1/2 [13] Drain Port in Box
- _____ **-DP14** 1/4 [6] Drain Port in Box
- _____ **-DP38** 3/8 [9] Drain Port in Box
- _____ **-HD** Heavy Duty Cover (-CI and -NB)
- _____ **-NB** Polished Nickel Bronze Face
- _____ **-PB** Polished Bronze Face
- _____ **-RK** Hydrant Parts Repair Kit
- _____ **-VB** 3/4 [19] Adapter Vacuum Breaker

PARTS LIST

Item	Name	Quan.
5	Operating Screw	1
6	O-Ring	1
7	Operating Coupling	1
8	Operating Rod	1
9	Washer Guide	1
10	Washer (neoprene)	1
11	Screw	1
17	O-Ring	2
20	Removable Seat	1

* When ordering replacement parts specify Y dim.

REV. A	DATE: 05/05/08	C.N. NO. 98444
DWG. NO. P-14999	PRODUCT NO. Z1360-82	