



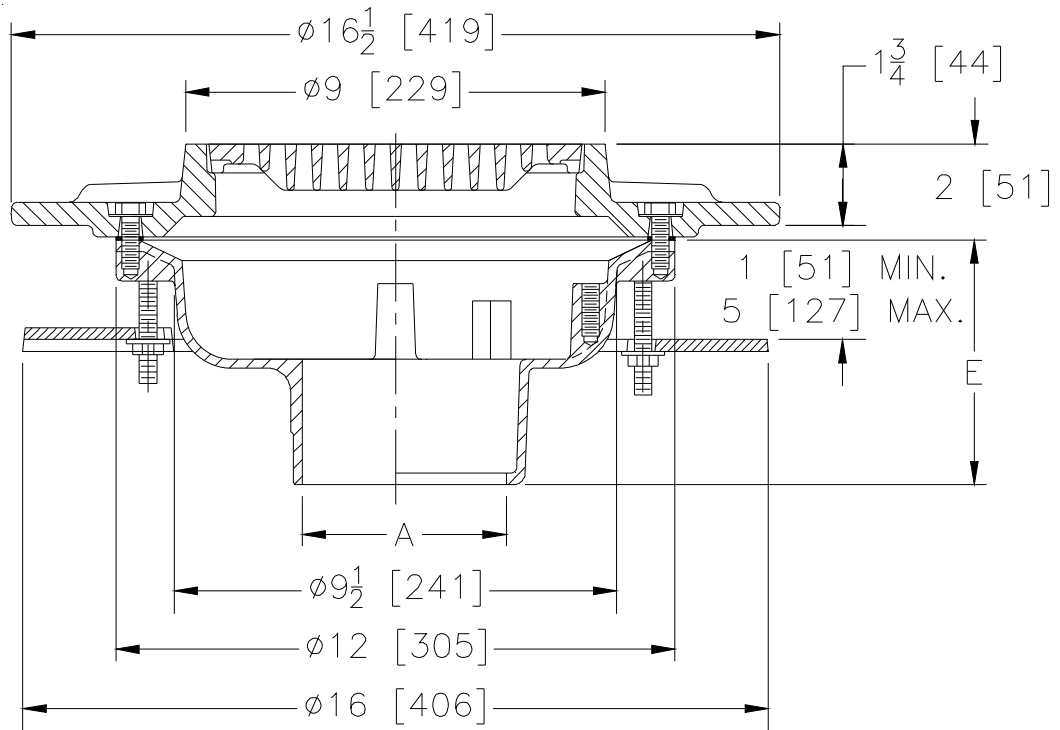
Z533-C

9 [229] DIAMETER PARKING DECK DRAIN W/ SUPPORT FLANGE & UNDERDECK CLAMP

SPECIFICATION SHEET

TAG _____

Dimensional Data (inches and [mm]) are Subject to Manufacturing Tolerances and Change Without Notice



A - Pipe Size In [mm]	Approx. Wt. Lbs. [Kg.]	Grate Open Area Sq. In. [Cm ²]
3,4 [76,102]	52 [24]	16 [103]

ENGINEERING SPECIFICATION: ZURNZ533-C

9" [229mm] Diameter parking deck drain, Dura-Coated cast iron body with bottom outlet, heavy-duty gasketed drain support flange, with heavy-duty Duresist slotted grate and underdeck clamp.

OPTIONS (Check/specify appropriate options)

PIPE SIZE

3,4 [76,102]

3,4 [76,102]

(Specify size/type) OUTLET

___ NH No-Hub

___ NL Neo-Loc

'E' BODY HT. DIM.

5-1/4 [133]

4-9/16 [116]

PREFIXES

___ Z D.C.C.I. Body and Grate*

___ ZB D.C.C.I. Body with Polished Bronze Top (Add 3/16 [5] to 2 [51] Dim.)

___ ZN D.C.C.I. Body with Polished Nickel Bronze Top (Add 3/16 [5] to 2 [51] Dim.)

SUFFIXES

___ -G Galvanized Cast Iron

___ -TS Top Secured with Slotted Screws

___ -VP Vandal-Proof Secured Top

___ -Y Sediment Bucket

* Regularly furnished unless otherwise specified.