

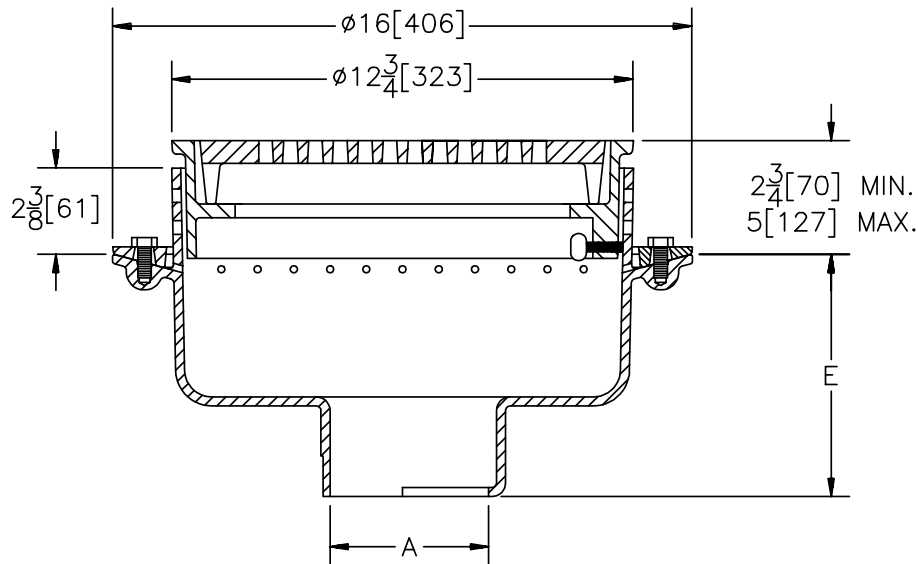


# Z-521-80

## 12" [305] DIAMETER ADJUSTABLE HEAVY DUTY DRAIN

TAG \_\_\_\_\_

Dimensional Data (inches and [ mm ]) are Subject to Manufacturing Tolerances and Change Without Notice



| A- Pipe Size In.         | Approx. Wt. Lbs. [kg] | Grate Open Area Sq. In. [cm <sup>2</sup> ] |
|--------------------------|-----------------------|--|
| 3-4-5-6 [75-100-125-150] | 60 [27]               | 30 [194]                                   |

**ENGINEERING SPECIFICATION:** ZURN Z-521-80 12" Diameter top drain, Dura-Coated cast iron body with additional perforations, with clamp collar and bottom outlet, seepage pan and adjustable extension frame with heavy duty tractor grate.

**OPTIONS** (Check/specify appropriate options)

**PIPE SIZE**

(Specify size/type) **OUTLET**

**'E' BODY HT. DIM.**

|                         |          |                               |             |
|-------------------------|----------|-------------------------------|-------------|
| 3 thru 6 [75 thru 150]  | _____ IC | Inside Caulk                  | 6 5/8 [168] |
| 3 thru 6 [75 thru 150]  | _____ IG | Inside Caulk w/Sealtrol Gskt. | 6 5/8 [168] |
| 4 thru 6 [100 thru 150] | _____ IP | Threaded                      | 5 1/4 [133] |
| 4 [100]                 | _____ NL | Neo-Loc                       | 5 7/8 [149] |

**PREFIXES**

- \_\_\_\_\_ Z- D.C.C.I. Body and Grate\*
- \_\_\_\_\_ ZB- D.C.C.I. Body with Polished Bronze Grate (Add 3/16 [5] to 2 3/4 [70] - 5 [127] Dim.)
- \_\_\_\_\_ ZN- D.C.C.I. Body with Polished Nickel Bronze Grate (Add 3/16 [5] to 2 3/4 [70] - 5 [127] Dim.)

**SUFFIXES**

- \_\_\_\_\_ -DG Duresist Grate
- \_\_\_\_\_ -F Extension Frame (Specify Height)
- \_\_\_\_\_ -G Galvanized Cast Iron
- \_\_\_\_\_ -S Secondary Strainer
- \_\_\_\_\_ -T Square Top
- \_\_\_\_\_ -V Backwater Valve (See Z-1099)
- \_\_\_\_\_ -VP Vandal Proof Secured Top
- \_\_\_\_\_ -Y Sediment Bucket

|                  |              |                      |
|------------------|--------------|----------------------|
| REV.             | DATE: 8/8/95 | C.N. NO. 72603       |
| DWG. NO. P-14218 |              | PRODUCT NO. Z-521-80 |

\*REGULARLY FURNISHED UNLESS OTHERWISE SPECIFIED