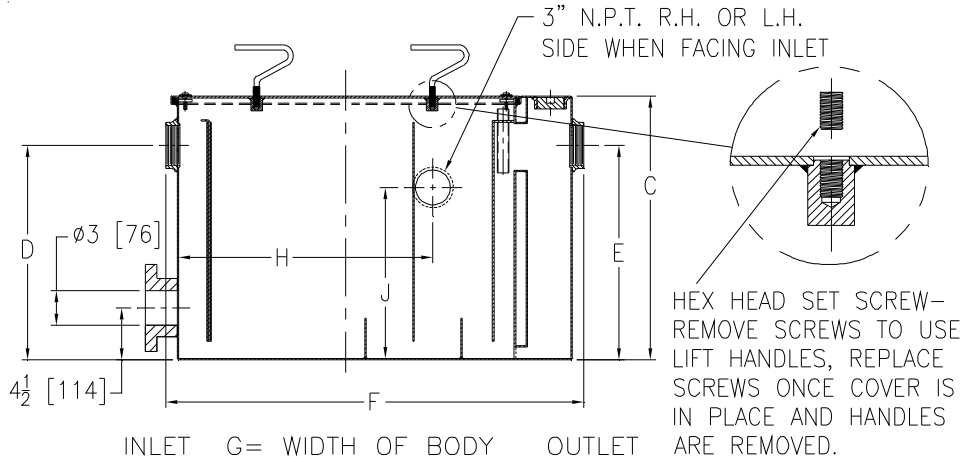




Z1172-107 LARGE CAPACITY GREASE INTERCEPTOR

SPECIFICATION SHEET
TAG _____

Dimensional Data (inches and [mm]) are Subject to Manufacturing Tolerances and Change Without Notice



Size	Dimensions in Inches	
	H	J
900	21 7/8 [556]	14 3/4 [375]
1000	28 5/8 [727]	19 1/4 [489]
1100	32 1/4 [819]	20 3/4 [527]
1200	39 [991]	21 [533]
1300	44 [1118]	25 5/8 [651]
1400	54 [1372]	31 1/4 [794]
1500	65 [1651]	34 7/8 [886]
1600	70 [1778]	38 5/8 [981]
1700	77 [1956]	42 3/8 [1076]
1800	85 [2159]	43 3/8 [1102]
1900	87 [2210]	46 3/8 [1178]

Size	Inlet/Outlet Size**	Flow Rate G.P.M. [L]	Capacity		No. of Covers	Approx. Wt. Lbs. [kg]	Dimensions in Inches			
			Water Gal. [L]	Grease Lbs. [kg]			C	D/E	F	G
900	3 [76]	75 [284]	65 [246]	150 [68]	1	316 [143]	22 3/4 [578]	18 1/2 [470]	36 [914]	28 5/8 [727]
1000		100 [378]	110 [416]	200 [91]		408 [185]	27 [686]	23 [584]	42 3/4 [1086]	33 5/8 [854]
1100		125 [472]	150 [567]	250 [114]		749 [340]	30 1/8 [765]	24 1/2 [622]	49 1/4 [1251]	40 [1016]
1200	4 [102]	150 [567]	195 [737]	300 [136]	2	856 [389]	30 3/4 [781]	25 1/4 [641]	56 [1422]	41 5/8 [1057]
1300		200 [756]	270 [1021]	400 [182]		1016 [461]	35 1/2 [902]	29 7/8 [759]	61 [1549]	43 5/8 [1108]
1400	5 [127]	250 [945]	465 [1758]	500 [227]	2	1384 [628]	41 [1041]	36 [914]	71 [1803]	51 5/8 [1311]
1500		300 [1134]	665 [2514]	600 [272]		1770 [804]	46 1/4 [1175]	39 5/8 [1006]	80 [2032]	58 5/8 [1489]
1600	6 [152]	350 [1323]	865 [3278]	700 [318]	3	2096 [951]	50 1/2 [1283]	43 7/8 [1114]	87 [2210]	63 5/8 [1616]
1700		400 [1512]	1095 [4139]	800 [363]		2440 [1108]	54 1/4 [1378]	47 5/8 [1210]	94 [2388]	67 [1702]
1800		450 [1701]	1280 [4838]	900 [409]		2710 [1230]	55 1/4 [1403]	48 5/8 [1235]	100 [2540]	72 [1829]
1900		500 [1890]	1440 [5443]	1000 [454]		2857 [1297]	57 1/4 [1454]	51 5/8 [1311]	104 [2642]	74 [1880]

ENGINEERING SPECIFICATION: ZURN Z1172-107

Large capacity Acid Resistant Coated interior and exterior fabricated steel grease interceptor, rated at ____ GPM and ____ Lbs. grease capacity with internal air relief by-pass, bronze cleanout plug and visible double wall trap seal with removable pressure equalizing/flow diffusing baffle. Gasketed non-skid secured cover with removable lift handles and enzyme port having bronze plug, complete with flow control fitting. Regularly furnished with inlet and outlet in high position.

OPTIONS (Check/specify appropriate options)

PREFIXES

____ Z Acid Resistant Coated Fabricated Steel*

SUFFIXES

- ____ -CC 8 [203] Diameter Cleanout Cover
- ____ -E Acid Resistant Coated Interior and exterior fabricated steel extension section. (Specify 'C' Dim. required) for recessed installation.
- ____ -HD Heavy duty traffic cover rated at 10,000 lbs. [4536] kg. maximum safe live load.
- ____ -K Anchor flange 1 3/4 [44] down from top and 2 [51] wide.
- ____ -KC Anchor flange 1 3/4 [44] down from top and 2 [51] wide with clamp collar.

REV. A	DATE: 07/31/07	C.N. NO. 97050
DWG. NO. P-14589	PRODUCT NO. Z1172-107	

*REGULARLY FURNISHED UNLESS OTHERWISE SPECIFIED

ZURN INDUSTRIES, LLC. ♦ SPECIFICATION DRAINAGE OPERATION ♦ 1801 Pittsburgh Ave. ♦ Erie, PA 16514

Phone: 814/455-0921 ♦ Fax: 814/454-7929 ♦ World Wide Web: www.zurn.com

In Canada: ZURN INDUSTRIES LIMITED ♦ 3544 Nashua Drive ♦ Mississauga, Ontario L4V1L2 ♦ Phone: 905/405-8272 Fax: 905/405-1292