

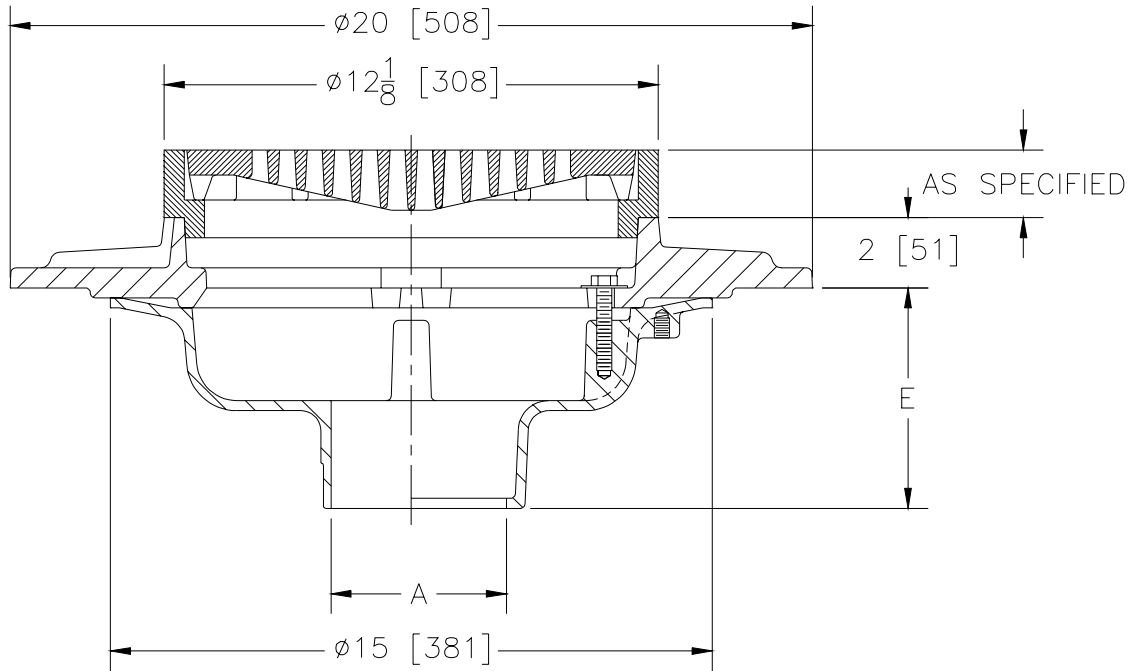


Z-534-85

12" [305] DIAMETER PARKING DECK DRAIN WITH SUPPORT FLANGE AND GRATE RISER EXTENSION

TAG _____

Dimensional Data (inches and [mm]) are Subject to Manufacturing Tolerances and Change Without Notice



A- Pipe Size In.	Approx. Wt. Lbs. [kg]	Grate Open Area Sq. In. [cm ²]
2-3-4-5-6 [50-75-100-125-150]	78 [35]	30 [194]
8-10 [200-250]	80 [36]	

ENGINEERING SPECIFICATION: ZURN Z-534-85 12 [305] Diameter Parking Deck Drain, Dura-Coated cast iron body with bottom outlet, seepage pan and combination membrane flashing clamp and heavy duty support flange, grate riser extension with heavy duty slotted grate.

OPTIONS (Check/specify appropriate options)

PIPE SIZE

(Specify size/type) **OUTLET**

'E' BODY HT. DIM.

2 thru 6, 8, 10 [50 thru 150, 200, 250]	___ IC Inside Caulk	5 1/4 [133]
2 thru 6, 8, 10 [50 thru 150, 200, 250]	___ IG Inside Caulk w/Sealtrol Gskt.	5 1/4 [133]
2 thru 6, 8, 10 [50 thru 150, 200, 250]	___ IP Threaded	3 3/4 [95]
2 thru 6, 8, 10 [50 thru 150, 200, 250]	___ NH No-Hub	5 1/4 [133]
2 thru 4 [50 thru 100]	___ NL Neo-Loc	4 5/8 [117]

PREFIXES

- ___ Z- D.C.C.I. Body and Grate*
- ___ ZB- D.C.C.I. Body with Polished Bronze Grate (Add 3/16 [5] to 2 [51] Dim.)
- ___ ZN- D.C.C.I. Body with Polished Nickel Bronze Grate (Add 3/16 [5] to 2 [51] Dim.)

SUFFIXES

- ___ -C Underdeck Clamp
- ___ -G Galvanized Cast Iron
- ___ -VP Vandal Proof Secured Top
- ___ -XJ Expansion Joint (See Z-190)
(Use with IP Type Outlets)

REV.	DATE: 10/04/96	C.N. NO. 76101
DWG. NO. P-14396 PRODUCT NO. Z-534-85		

*REGULARLY FURNISHED UNLESS OTHERWISE SPECIFIED