

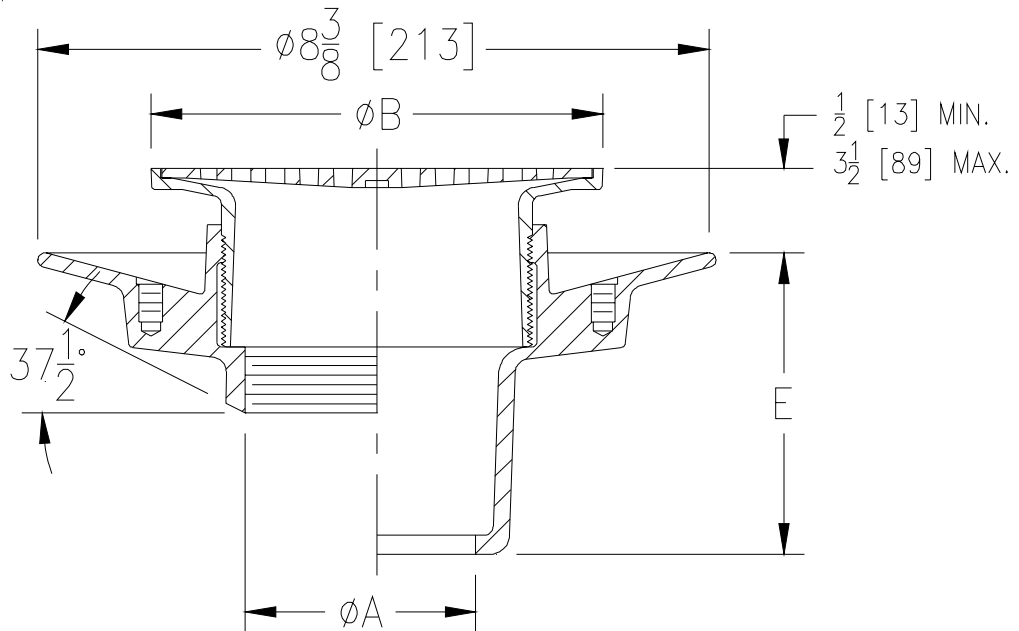


# Z415B-98 BODY ASSEMBLY W/ "TYPE B" STRAINER

SPECIFICATION SHEET

TAG \_\_\_\_\_

Dimensional Data (inches and [ mm ]) are Subject to Manufacturing Tolerances and Change Without Notice



Dimensions In Inches		Approx. Wt. Lbs. [kg]	Strainer Open Area Sq. In. [cm <sup>2</sup> ]
A - Pipe Size	B-Strainer Dia.		
2-3-4 [51-76-102]	6 [152]	14 [6]	9 [58]

**ENGINEERING SPECIFICATION:** ZURN ZAB415B-98 Floor and shower drain, all cast bronze body with bottom outlet, with "TYPE B" polished bronze top.

**OPTIONS** (Check/specify appropriate options)

**PIPE SIZE**

- 2 thru 4 [51 thru 102]
- 2 [51]
- 3 [76]
- 4 [102]

**OUTLET** (Specify size/type)

- \_\_\_\_\_ IC Inside Caulk
- \_\_\_\_\_ IP Threaded
- \_\_\_\_\_ IP Threaded
- \_\_\_\_\_ IP Threaded

**'E' BODY HT. DIM.**

- 4 1/4 [108]
- 2 1/4 [57]
- 2 1/2 [64]
- 2 3/4 [70]

**PREFIXES**

- \_\_\_\_\_ ZAB All Bronze\*

**SUFFIXES**

- \_\_\_\_\_ -HD Heavy Duty Grate
- \_\_\_\_\_ -P Trap Primer Connection (Specify 1/2 [13] or 3/4 [19])
- \_\_\_\_\_ -U 1 - 3 [25 - 76] High Extension Adapter
- \_\_\_\_\_ -V Backwater Valve
- \_\_\_\_\_ -VP Vandal-Proof Secured Top
- \_\_\_\_\_ -Y Sediment Bucket

\*REGULARLY FURNISHED UNLESS OTHERWISE SPECIFIED

REV. A	DATE: 02/25/04	C.N. NO. 91974
DWG. NO. P-14401	PRODUCT NO. Z415B-98	