



# Z886-PVS-SW2

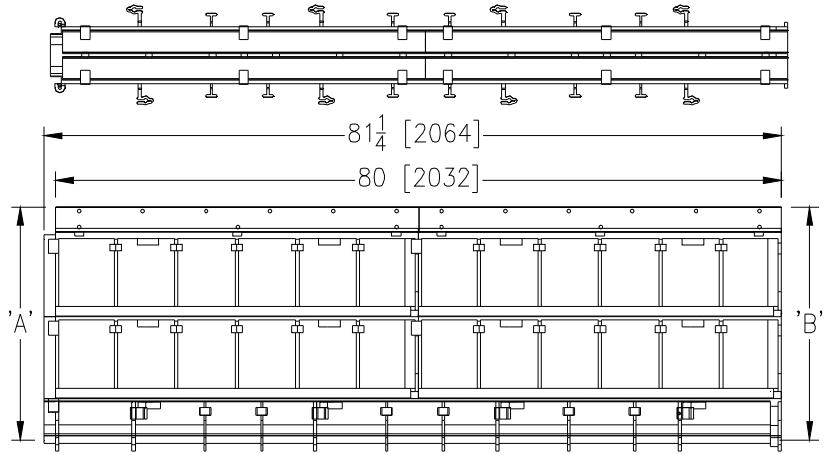
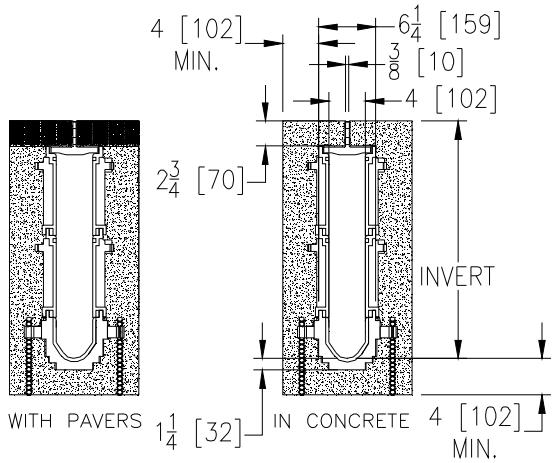
SPECIFICATION SHEET

.375 [10] WIDE REVEAL TRENCH DRAIN SYSTEM WITH PAVER  
SLOT GRATE AND TWO 9 [229] SIDEWALL EXTENSIONS

TAG \_\_\_\_\_

Dimensional Data (inches and [ mm ]) are Subject to Manufacturing Tolerances and Change Without Notice

SPECIFYING ENGINEER IS RESPONSIBLE FOR  
CONCRETE ENCASEMENT AND REINFORCING  
BASED UPON APPLICATION AND LOCAL CODES



NOTE: + Actual Channel length is 81 1/4 [2064] to allow for overlap.

**ENGINEERING SPECIFICATION:** Zurn Z886-PVS-SW2 Channels shall be 80 [2032] long, .375 [10] wide slot and have a 4 [102] throat. Modular channel sections shall be made of 0% water absorbent High Density Polyethylene (HDPE). Shall have a positive mechanical connection between channel sections that will not separate during the installation and shall mechanically lock into the concrete surround a minimum of every 10 [254]. Channels shall weigh less than 2.31 lbs.[1.05kg] per linear foot, have a smooth, 1.5 [38] radiused self cleaning bottom with a Manning's coefficient of 0.009 and 0.75% or neutral 0% built in slope. Channels shall have rebar clips standard to secure trench in its final location. Channels shall have HDPE SW2 Side Walls attached for an additional 18 [457] added to the standard channel invert for additional flow capability shown in chart below. Shall be provided with standard PVS non-removable grates. Zurn 0.375 [10] wide reveal and 2.75 [70] tall fabricated Steel Paver Slot grate with Ductile Iron reinforcing conforming to ASTM specification A536-84, Grade 80-55-06. is rated class C per the DIN EN1433 top load classifications. Supplied in 40 [1016] nominal lengths with 0.75 [19] bearing depth. Grate has an open area of 4.5 sq. in per ft. [9,525 sq. mm per meter].

**PREFIX OPTIONS (Check/specify appropriate options)**

\_\_\_ Z Six-foot, Eight-inch High Density Polyethylene (HDPE)\*

**SUFFIX OPTIONS (Check/specify appropriate options)**

**Outlet Adapters Add/Each**

- \_\_\_ -E1 Closed End Cap
- \_\_\_ -E2 2 [51] No-Hub End Outlet
- \_\_\_ -E3 3 [76] No-Hub End Outlet
- \_\_\_ -E4 4 [102] No-Hub End Outlet
- \_\_\_ -E6 6 [152] No-Hub End Outlet
- \_\_\_ -U2 2 [51] No-Hub Bottom Outlet
- \_\_\_ -U3 3 [76] No-Hub Bottom Outlet
- \_\_\_ -U4 4 [102] No-Hub Bottom Outlet
- \_\_\_ -U6 6 [152] No-Hub Bottom Outlet

**Miscellaneous Options**

\_\_\_ -JC Joint Connector

**Decorative MADE in the U.S.A.**

**Grate Options (Load Classifications are per DIN EN1433)**

- \_\_\_ -PVSG Galvanized Paver Slot Grate - Class C
- \_\_\_ -PVSS Stainless Steel Paver Slot Grate - Class C

| Trench No. | 'A' Shallow Inv. | 'B' Deep Inv. | Flow  |       |       |
|------------|------------------|---------------|-------|-------|-------|
|            |                  |               | (cfs) | (gpm) | (lps) |
| 8601SW2    | 24.25 [616]      | 24.85 [631]   | 2.33  | 1045  | 66    |
| 8602SW2    | 24.85 [631]      | 25.45 [646]   | 2.40  | 1078  | 68    |
| 8603SW2    | 25.45 [646]      | 26.05 [662]   | 2.47  | 1110  | 70    |
| 8603NSW2   | 26.05 [662]      | 26.05 [662]   | -     | -     | -     |
| 8604SW2    | 26.05 [662]      | 26.65 [677]   | 2.55  | 1142  | 72    |
| 8605SW2    | 26.65 [677]      | 27.25 [692]   | 2.62  | 1175  | 74    |
| 8606SW2    | 27.25 [692]      | 27.85 [707]   | 2.69  | 1207  | 76    |
| 8606NSW2   | 27.85 [707]      | 27.85 [707]   | -     | -     | -     |
| 8607SW2    | 27.85 [707]      | 28.45 [723]   | 2.76  | 1239  | 78    |
| 8608SW2    | 28.45 [723]      | 29.05 [738]   | 2.83  | 1272  | 80    |
| 8609SW2    | 29.05 [738]      | 29.65 [753]   | 2.91  | 1304  | 82    |
| 8610SW2    | 29.65 [753]      | 30.25 [768]   | 2.98  | 1336  | 84    |
| 8611SW2    | 30.25 [768]      | 30.85 [784]   | 3.05  | 1369  | 86    |
| 8612SW2    | 30.85 [784]      | 31.45 [799]   | 3.12  | 1401  | 88    |
| 8612NSW2   | 31.45 [799]      | 31.45 [799]   | -     | -     | -     |
| 8613SW2    | 31.45 [799]      | 32.05 [814]   | 3.19  | 1433  | 90    |
| 8614SW2    | 32.05 [814]      | 32.65 [829]   | 3.27  | 1466  | 92    |
| 8615SW2    | 32.65 [829]      | 33.25 [845]   | 3.34  | 1498  | 94    |

\*REGULARLY FURNISHED UNLESS OTHERWISE SPECIFIED

REV. DATE: 8/24/10 C.N. NO. 111586  
DWG. NO. 302040 PRODUCT NO. Z886-PVS-SW2

ZURN INDUSTRIES, LLC ♦ SPECIFICATION DRAINAGE OPERATION ♦ 1801 Pittsburgh Ave. ♦ Erie, PA 16514

Phone: 814455-0921 ♦ Fax: 814454-7929 ♦ World Wide Web: www.zurn.com

In Canada: ZURN INDUSTRIES LIMITED ♦ 3544 Nashua Drive ♦ Mississauga, Ontario L4V1L2 ♦ Phone: 905405-8272 Fax: 905405-1292