



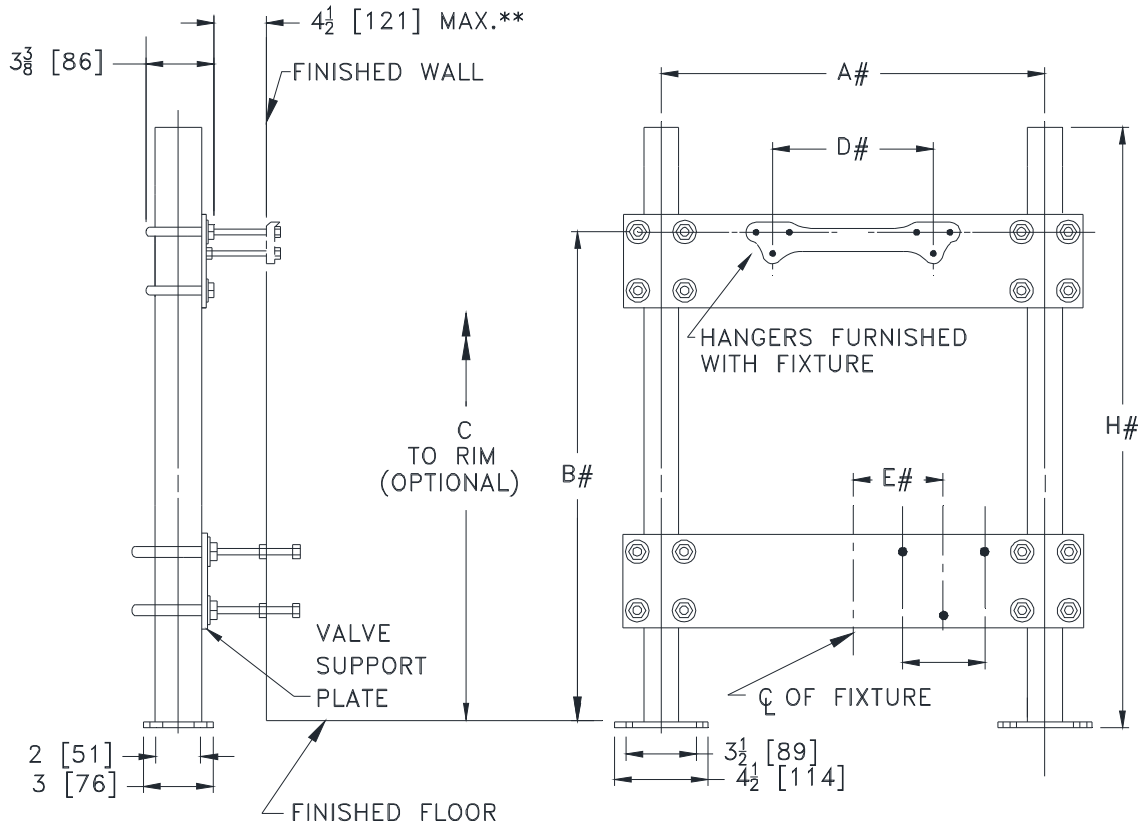
Z1224-WS

PLATE TYPE SYSTEM FOR LAVATORY WITH VALVE SUPPORT PLATE

SPECIFICATION SHEET

TAG _____

Dimensional Data (inches and [mm]) are Subject to Manufacturing Tolerances and Change Without Notice



** WITH STANDARD STUD LENGTH OF 6 [152].
#REFER TO ROUGH-IN GUIDE OF SPECIFIC FIXTURE FOR DIM.

Product No.	Approx. Wt. Lbs. [kg]
Z1224-WS	52 [24]

ENGINEERING SPECIFICATION: ZURN Z1224-WS

Lavatory support system with top and bottom support plates. Complete with Dura-Coated rectangular steel uprights with welded feet, adjustable support plates, and mounting fasteners.

Note: Specify Valve Name and Number.

OPTIONS (Check/specify appropriate options)

PREFIXES

___ Z Dura-Coated System with Universal Plate*

SUFFIXES

- ___ -CB Carrier Bank (Per Each)
- ___ -D Back-to-Back System
- ___ -EZ Easy to Install Assembly
- ___ -SL Stud Length Over 6 [152] (Specify Length)
- ___ -2 Bearing Plate Assembly

* Regularly furnished unless otherwise specified.