



# Z1202-1N4-XH

EXTRA-HEAVY-DUTY - 750 lbs [340 kg]  
 EZCARRY® ADJUSTABLE VERTICAL HIGH PERFORMANCE  
 SIPHON JET NO-HUB WATER CLOSET CARRIER SYSTEM W/ SIDE  
 INLET

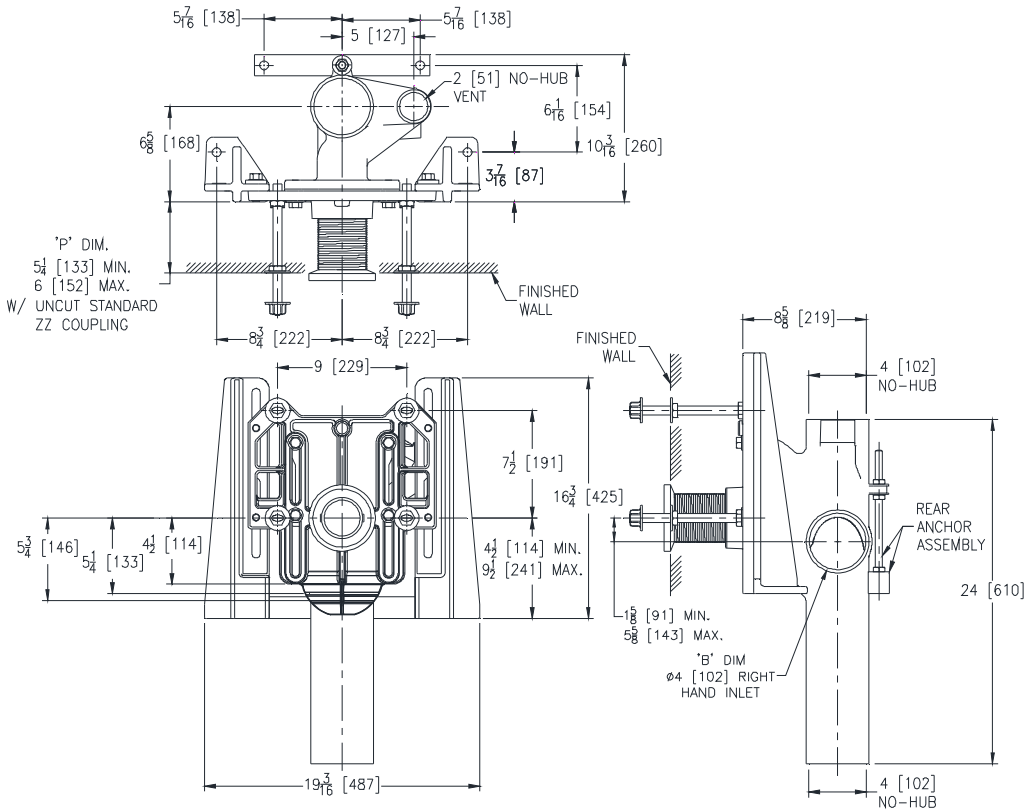
SPECIFICATION SHEET

TAG \_\_\_\_\_

**PATENT  
 PENDING**

Dimensional Data (inches and [mm]) are Subject to Manufacturing Tolerances and Change Without Notice

## Z1202-1NR4-XH Illustrated



Product Number	Approx. Wt. lbs [kg]
Z1202-1NL4-XH	99 [45]
Z1202-1NR4-XH	

**Note:**

1. Cut ZZ Coupling, Min. 'P' Dim. Obtainable = 2 [51]  
 Cut EZ-Set™ Coupling, Min. 'P' Dim. Obtainable=4-1/4 [108] or 2-1/16 [52] for 12 [305] NPT
2. Feet bolted to floor using min. 1/2 [13] dia. anchors.
3. Rear anchor assembly required for secure installation.
4. Floor anchors must each be able to withstand a pull-out force of 820 lbs [372 kg].
5. Pull-out forces are calculated values with standard coupling assembly. No safety factor has been applied. See Form # C38 for more information.
6. 2 [51] No-Hub vent connection regularly furnished on right hand side. Left hand available when specified (Suffix -VL)
7. Auxiliary inlet available right (-JR) or left (-JL) or both sides (-JJ) when specified.

**ENGINEERING SPECIFICATION: ZURN Z1202-1N4-XH**

EZCarry® Extra-Heavy-Duty vertical siphon jet water closet carrier system, with high performance Dura-Coated cast iron main fitting with hydro-mechanically optimized sweep, 4" [102mm] no-hub connections, extended 2" [51 mm] vent, and 4" side inlet. Corrosion resistant, adjustable 3" [76 mm] dia. X 6" [152 mm] coupling with integral test cap, designed to increase flow velocity and line carry, and labor saving "Neo-Seal" bonded gasket optimizes flow performance while reducing installation steps. Complete system includes an adjustable, gasketed faceplate; floor mounted foot supports; extra-heavy-duty 1/2" [13 mm] rear anchor tie down; fixture bolts, trim, and stud protectors. EZCarry® XH system complies with all applicable requirements of ASME A112.6.1M up to a 750 lbs [340 kg] maximum static load.

**OPTIONS** (Check/specify appropriate options)

- \_\_\_ Z1202-1NL4      4 [102] No-Hub Stack, Single Inlet, 4 [102] Left Hand Side Inlet, 2 [51] Left Hand Vent.
- \_\_\_ Z1202-1NR4      4 [102] No-Hub Stack, Single Inlet, 4 [102] Right Hand Side Inlet, 2 [51] Right Hand Vent.

**PREFIXES**

- \_\_\_ Z      D.C.C.I. System with Zurn ZZ Adjustable Coupling\*
- \_\_\_ ZQ      D.C.C.I. System with NPT Faceplate, Non-Adjustable Coupling

**SUFFIXES**

- \_\_\_ -CC      Corrosion Resistant Cast Iron Coupling (2-1/4 to 12 [57 to 305])
- \_\_\_ -CE      EZ-Set™ Coupling (NPSM 6 [152] , 12 [305] or custom) (NPT 12 [305] or custom)
- \_\_\_ -CL      Custom Length Standard Coupling with Integral Test Cap (Specify Length 4, 8, 10, 12 [102, 203, 254, 305])
- \_\_\_ -CS      2-1/4 [57] Polymer Coupling with Integral Test Cap (ZZ Coupling Only)
- \_\_\_ -G      Galvanized Cast Iron
- \_\_\_ -JJ      Two 2 [51] Auxiliary Inlets
- \_\_\_ -JL      2 [51] Left-Hand Auxiliary Inlet
- \_\_\_ -JR      2 [51] Right-Hand Auxiliary Inlet
- \_\_\_ -VL      Left Hand Vent Connection
- \_\_\_ -VP      Vandal-Proof Trim
- \_\_\_ -45      Finishing Frame for Siphon Jet System
- \_\_\_ -50      Flush Valve Supply Support for Water Closets

\* Regularly furnished unless otherwise specified.