

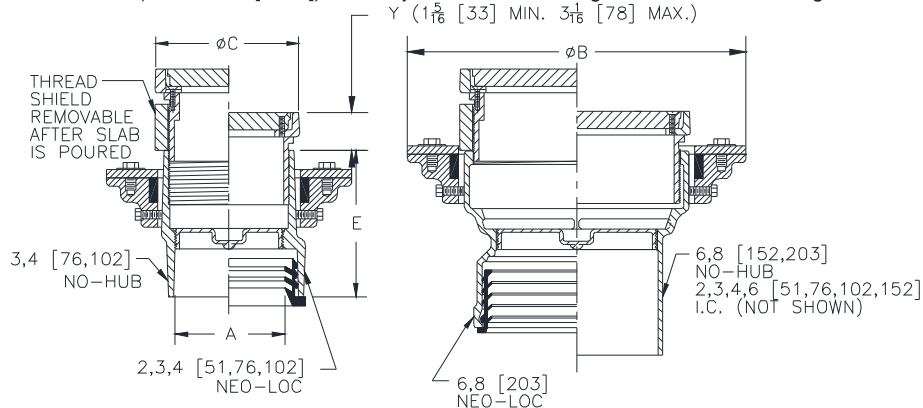


Z1400-KC

EXTRA HEAVY-DUTY "LEVEL-TROL" ADJUSTABLE FLOOR CLEANOUT WITH ANCHOR FLANGE AND CLAMPING COLLAR

TAG _____

Dimensional Data (inches and [mm]) are Subject to Manufacturing Tolerances and Change Without Notice



ENGINEERING SPECIFICATION: ZURN Z1400-KC

"Level-Trol" Adjustable floor cleanout, Dura-Coated cast iron body, with gas and watertight ABS tapered thread plug, anchor flange with membrane flashing clamp collar and round scoriated secured extra heavy duty top, adjustable to finished floor.

Dimension In Inches [mm]				Approx. Wt. Lbs. [kg.]
A-Pipe Size	B	C	E	
Inside Caulk				
2 [51]	9-1/2 [241]	6-1/8 [156]	6-7/8 [175]	18.1 [8.2]
3 [76]	9-1/2 [241]	6-1/8 [156]	6-7/8 [175]	18.8 [8.5]
4 [102]	11-1/2 [292]	7-1/4 [184]	6-7/8 [175]	20.3 [9.2]
6 [152]	12-1/4 [292]	9-1/4 [235]	6-7/8 [175]	39.2 [17.8]
No-Hub				
2 [51]	7-1/2 [191]	4-1/8 [105]	4-5/8 [117]	11.3 [5.1]
3 [76]	7-1/2 [191]	5-1/8 [130]	5-3/8 [137]	10 [4.5]
4 [102]	7-1/2 [191]	5-1/8 [130]	5-3/8 [137]	12.6 [5.7]
6 [152]	11-1/2 [292]	8-1/4 [210]	4-3/4 [121]	29.2 [13.2]
8 [203]	12-1/4 [311]	9-1/4 [235]	7-1/2 [191]	37.9 [17.2]
Neo-Loc				
2 [51]	7-1/2 [191]	5-1/8 [130]	5-3/8 [137]	12.2 [5.5]
3 [76]	7-1/2 [191]	5-1/8 [130]	5-3/8 [137]	12.9 [6]
4 [102]	7-1/2 [191]	5-1/8 [130]	5-3/8 [137]	14.2 [6.4]
6 [152]	11-1/2 [292]	8-1/4 [210]	5-7/8 [149]	28.9 [13.1]
8 [203]	12-1/4 [311]	9-1/4 [235]	6-1/2 [165]	31.5 [14.3]

OPTIONS (Check/specify appropriate options)

PREFIXES

- ___ Z Dura Coated Cast Iron*
- ___ ZB D.C.C.I. w/ Polished Bronze Light Duty Top (Deduct 3/4 [19] from 'Y' Dim.)
- ___ ZN D.C.C.I. w/ Polished Nickel Bronze Light Duty Top (Deduct 3/4 [19] from 'Y' Dim.)
- ___ ZS D.C.C.I. w/ Polished Stainless Steel Extra Heavy Duty Top

SUFFIXES

- ___ -AR Acid Resisting Epoxy Coated Finish
- ___ -BP Bronze Plug
- ___ -CF Carpet Flange Cover (ZB and ZN only)
- ___ -CM Carpet Marker
- ___ -DC Duresist Cover
- ___ -DX Round ZB or ZN Top with Dex-o-tex Flange (2,3,4 [51,76,102] Sizes only)
- ___ -G Galvanized Cast Iron
- ___ -HD Extra Heavy-Duty Top (Add 3/16 [5] to 'Y' Dim.) (ZB and ZN only)
- ___ -SA Stabilizer Assembly (See Z1035)
- ___ -SG Solid Gasketed Cover
- ___ -SM Special Marking Stamped on Top
- ___ -T Square Top
- ___ -TC Neo-Loc Test Cap Gasket (2,3,4 [51,76,102] NL Bottom Outlet Only)
- ___ -TX Square Top Recessed for 1/8 [3] Tile (ZB and ZN only)
- ___ -VP Vandal-Proof Screws
- ___ -X Round Top Recessed for 1/8 [3] Tile (ZB or ZN only)
- ___ -Z Round Top Recessed for 1-1/4 [32] Terrazzo (ZB or ZN only)

PIPE SIZE

- 2,3,4,6 [51,76,102,152]
- 2,3,4,6,8 [51,76,102,152,203]
- 2,3,4,6,8 [51,76,102,152,203]

(Specify size/type) **OUTLET**

- ___ IC Inside Caulk
- ___ NH No-Hub
- ___ NL Neo-Loc

'E' BODY HT. DIM.

- See Chart
- See Chart
- See Chart

* Regularly furnished unless otherwise specified.