



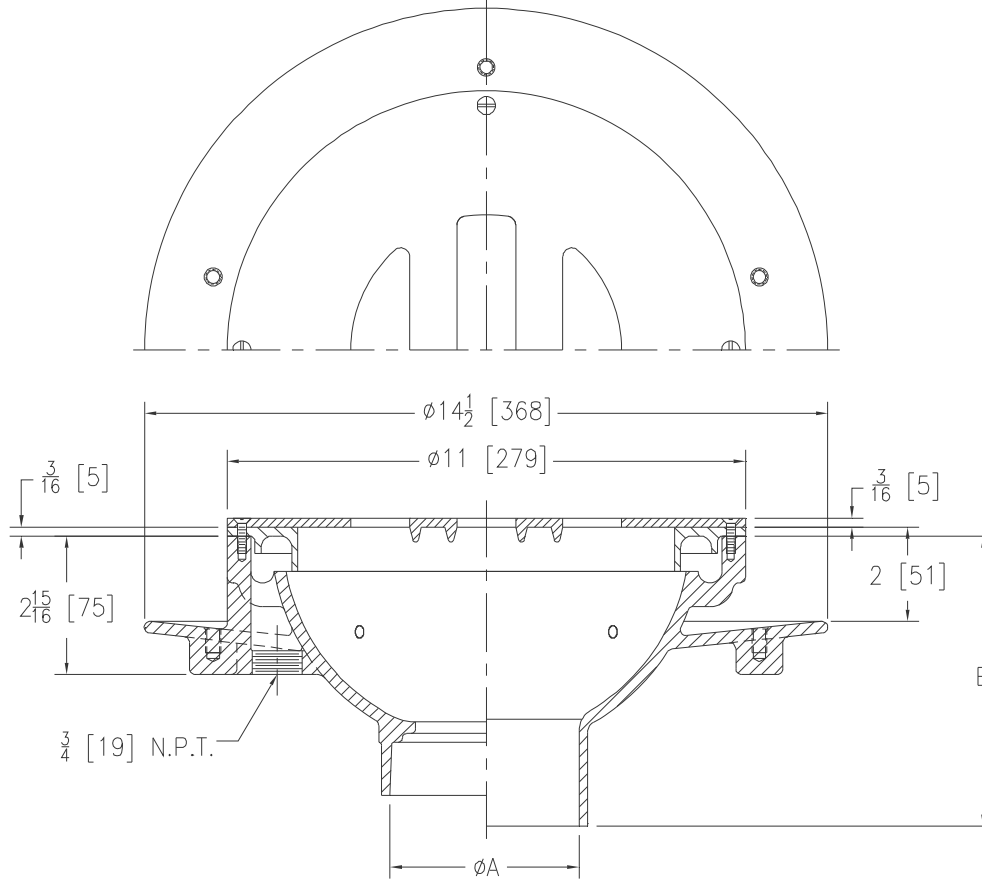
Z310-IG

THOROFLUSH DRAIN W/ INTEGRAL GRATE

SPECIFICATION SHEET

TAG _____

Dimensional Data (inches and [mm]) are Subject to Manufacturing Tolerances and Change Without Notice



A Pipe Size in.[mm]	Approx. Wt. lbs.[kg]	Grate Open Area in. ² [cm ²]
2,3,4 [51,76,102]	20 [9]	15 [97]

ENGINEERING SPECIFICATION: ZURN ZN310-IG

11" [279mm] Top Thoroflush drain, cast iron body with white acid resistant epoxy coated exterior and interior, bottom outlet with seepage pan, nickel bronze flushing rim top and slotted integral grate.

OPTIONS (Check/specify appropriate options)

PIPE SIZE

2,3,4 [51,76,102]

2,3,4 [51,76,102]

(Specify size/type) **OUTLET**

____ IP Threaded

____ NL Neo-Loc

'E' BODY HT. DIM.

5-1/2 [140]

5-3/4 [146]

PREFIXES

____ ZB Cast Iron Body w/ A.R.C. Interior and Exterior w/ Polished Bronze Top

____ ZN Cast Iron Body w/ A.R.C. Interior and Exterior w/ Polished Nickel Bronze Top*

SUFFIXES

____ -C Clamping Collar

____ -TC Neo-Loc Test Cap Gasket (2,3,4 [51,76,102] NL Bottom Outlet Only)

____ -VP Vandal-Proof Screws In Frame

____ -WB Water Supply Control Box (See Z1464)

* Regularly furnished unless otherwise specified.

Zurn Industries, LLC | Specification Drainage Operation
1801 Pittsburgh Avenue, Erie, PA U.S.A. 16502 · Ph. 855-663-9876, Fax 814-454-7929
In Canada | Zurn Industries Limited
3544 Nashua Drive, Mississauga, Ontario L4V 1L2 · Ph. 905-405-8272, Fax 905-405-1292
www.zurn.com

Rev. C
Date: 10/05/2017
C.N. No. 138404
Prod. | Dwg. No. Z310-IG