



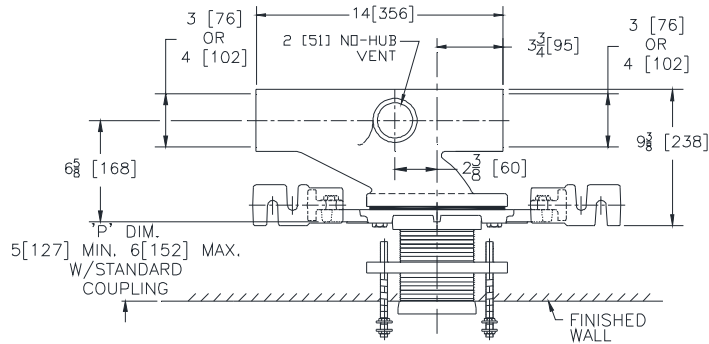
# ZN1203-126

NARROW WALL ADJUSTABLE HORIZONTAL SIPHON JET NO-HUB W/  
MODIFIED FACE PLATE FOR 4 [102] ROUGH, BACK OUTLET FIXTURE  
SUPPORT

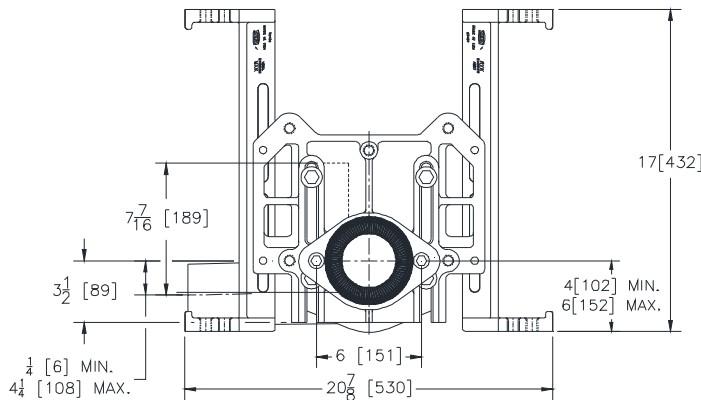
**SPECIFICATION SHEET**

TAG \_\_\_\_\_

Dimensional Data (inches and [ mm ]) are Subject to Manufacturing Tolerances and Change Without Notice



Product Number	Approx. Wt. Lbs. [kg]
ZN1203-NL3-126	52 [24]
ZN1203-NR3-126	
ZN1203-NL4-126	65 [29]
ZN1203-NR4-126	



**Note:**

1. Min. 'P' Dim. Obtainable = 2 [51]
2. Feet bolted to floor using min. 1/2 [13] dia. bolts and back slots on carrier feet.

**ENGINEERING SPECIFICATION: ZURN ZN1203-126**

Narrow wall adjustable, horizontal siphon jet water closet "Rigid System" with 4 [102] OR 3 [76] No-Hub connections. Complete with Dura-Coated cast iron right hand or left hand main fitting, with 2 [51] vent, modified adjustable gasketed chase saver floor mount back outlet face plate, RYK - Unistrut Pre-Fab foot supports, corrosion resistant adjustable ABS coupling with integral test cap, fixture bolts, trim, and bonded "Neo-Seal" gasket, and floor mount back outlet fixture support.

**OPTIONS** (Check/specify appropriate options)

- \_\_\_\_\_ ZN1203-NR3-126      3 [76] No-Hub Right Hand Inlet with Flow to Left
- \_\_\_\_\_ ZN1203-NL3-126      3 [76] No-Hub Left Hand Inlet with Flow to Right
- \_\_\_\_\_ ZN1203-NR4-126      4 [102] No-Hub Right Hand Inlet with Flow to Left
- \_\_\_\_\_ ZN1203-NL4-126      4 [102] No-Hub Left Hand Inlet with Flow to Right

**PREFIXES**

- \_\_\_\_\_ Z      D.C.C.I. System with Zurn "ZZ" Adjustable Coupling\*
- \_\_\_\_\_ ZQ      D.C.C.I. System with Non-Adjustable Coupling

**SUFFIXES**

- \_\_\_\_\_ -BC      Back Cleanout
- \_\_\_\_\_ -CC      Corrosion Resistant 6 [152] Long Cast Iron Coupling
- \_\_\_\_\_ -CL      Coupling Length Greater Than Standard (Length Must be Specified)
- \_\_\_\_\_ -G      Galvanized Cast Iron
- \_\_\_\_\_ -T      Threaded Stack Connection
- \_\_\_\_\_ -VP      Vandal Proof Trim
- \_\_\_\_\_ -29      Mechanical Test Cap Assembly
- \_\_\_\_\_ -61      Adjusting Wrench for "ZZ" Coupling

\* Regularly furnished unless otherwise specified.