



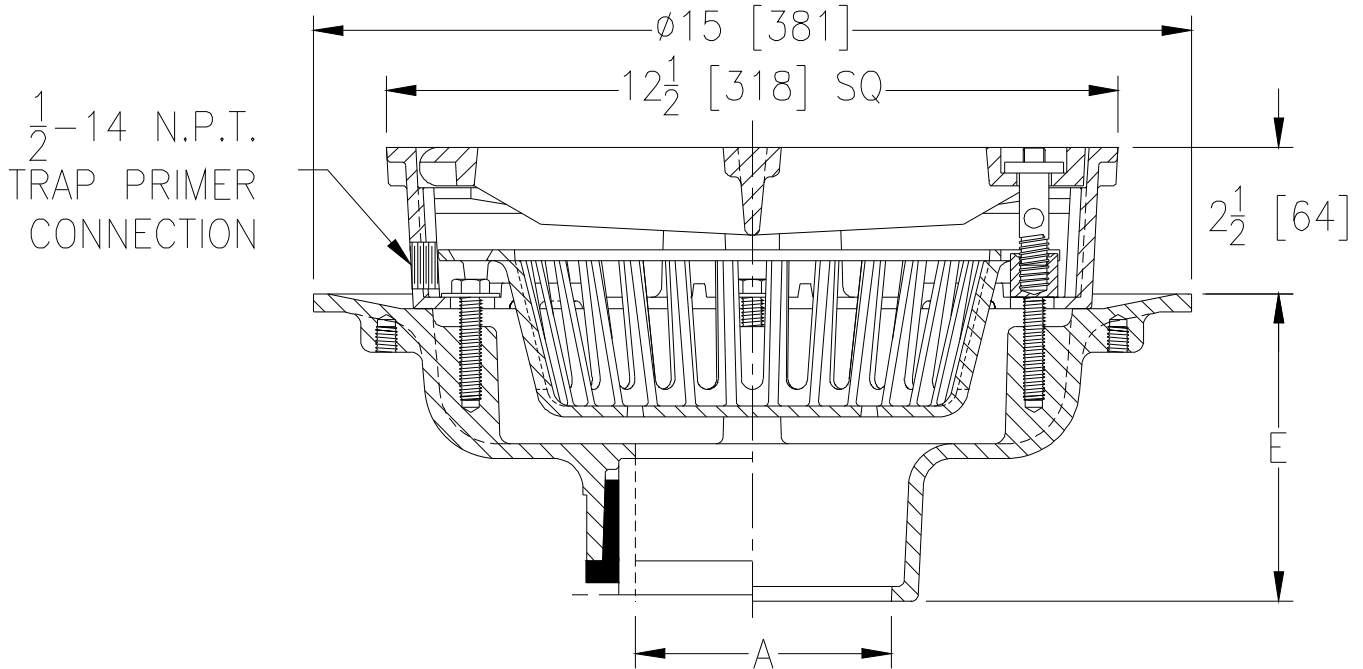
Z610-HL-P

12-1/2 [318] HEAVY DUTY DRAIN WITH HINGED LOCKING GRATE & TRAP PRIMER CONNECTION

SPECIFICATION SHEET

TAG _____

Dimensional Data (inches and [mm]) are Subject to Manufacturing Tolerances and Change Without Notice



A Pipe Size In. [mm]	Approx. Wt. Lbs. [kg]	Grate Open Area Sq. In. [cm ²]
2, 3, 4, 6 [51, 76, 102, 152]	54 [24]	42 [271]
8 [203]	56 [25]	

ENGINEERING SPECIFICATION: ZURN Z610-HL-P
 12-1/2" [318mm] Square top drain, Dura-Coated cast iron body with bottom outlet, 1/2-14 NPT seepage pan, combination membrane flashing clamp and frame with trap primer connection for heavy duty cast iron hinged locking grate, with suspended polypropylene sediment bucket.

OPTIONS (Check/specify appropriate options)

PIPE SIZE

- ___ 3, 4, 6 [76, 102, 152]
- ___ 3, 4, 6 [76, 102, 152]
- ___ 2, 3, 4, 6 [51, 76, 102, 152]
- ___ 2, 3, 4, 6, 8 [51, 76, 102, 152, 203]
- ___ 2, 3, 4 [51 thru 102]

(Specify size/type) **OUTLET**

- ___ IC Inside Caulk
- ___ IG Inside Caulk
- ___ IP Threaded
- ___ NH No-Hub
- ___ NL Neo-Loc

'E' BODY HT. DIM.

- 5-1/4 [133]
- 5-1/4 [133]
- 3-3/4 [95]
- 5-1/4 [133]
- 4-5/8 [117]

PREFIXES

- ___ Z D.C.C.I. Body and Top*
- ___ ZB D.C.C.I..Body w/ Polished Bronze Top (Add 3/16 [5] to 2-1/2 [64] Dim. and 3/4 [19] to 12-1/2 [318] Dim.)
- ___ ZN D.C.C.I. Body w/ Polished Nickel Bronze Top (Add 3/16 [5] to 2-1/2 [64] Dim. and 3/4 [19] to 12-1/2 [318] Dim.)

SUFFIXES

- | | |
|--|--|
| ___ -AR Acid Resistant Epoxy Coated Finish | ___ -SS Stainless Steel Mesh Liner for Bucket |
| ___ -DG Duresist Grate | ___ -TC Neo-Loc Test Cap Gasket
(2, 3, 4 [51, 76, 102] NL Bottom Outlet Only) |
| ___ -DX Dex-o-tex Flange (ZB, ZN Only) | ___ -V Backwater Valve (See Z1099) |
| ___ -F 2 [51] Extension | ___ -YA Aluminum Sediment Bucket |
| ___ -G Galvanized Cast Iron | ___ -YC Cast Iron Sediment Bucket |
| ___ -LY (Less) Sediment Bucket | ___ -90 90° Threaded Side Outlet Body |
| ___ -S Secondary Strainer | |

* Regularly furnished unless otherwise specified.