



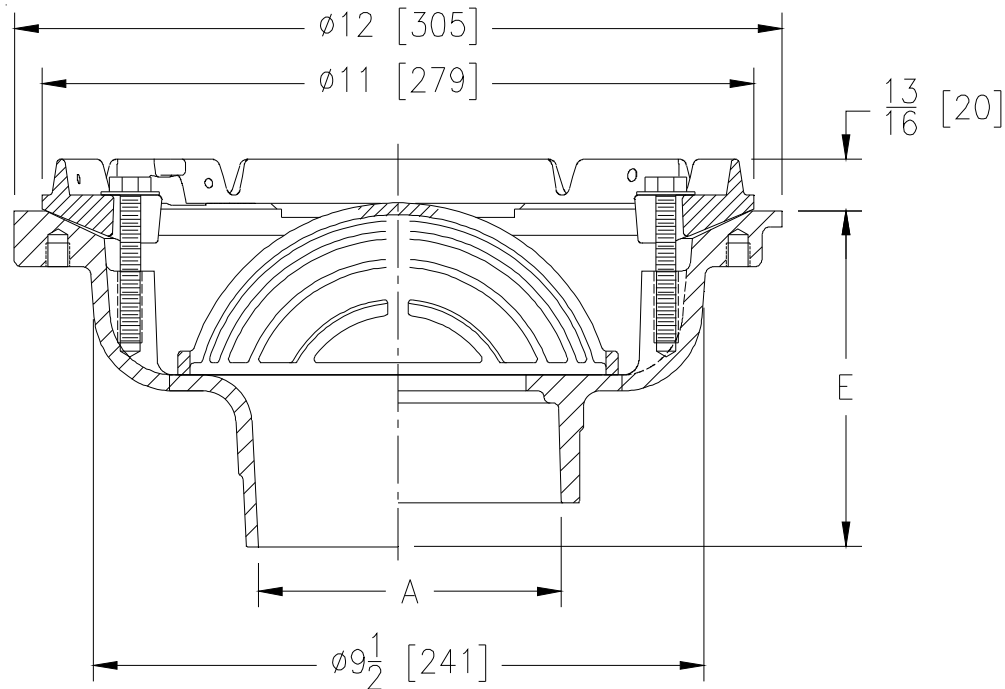
# Z122-79

12 [305] DIAMETER DECK RECEPTOR  
DRAIN WITH GRAVEL GUARD

SPECIFICATION SHEET

TAG \_\_\_\_\_

Dimensional Data (inches and [ mm ]) are Subject to Manufacturing Tolerances and Change Without Notice



A - Pipe Size Inches [mm]	Approx. Wt. Lbs. [kg]
2,3,4,6 [51,76,102,152]	29 [13]

### ENGINEERING SPECIFICATION: ZURN Z122-79

12" [305mm] Diameter deck receptor drain, Dura-Coated cast iron body with combination membrane flashing clamp/gravel guard and internal dome strainer.

### OPTIONS (Check/specify appropriate options)

#### PIPE SIZE

2, 3, 4, 6 [51, 76, 102, 152]

2, 3, 4 [51, 76, 102]

(Specify size/type) **OUTLET**

\_\_\_\_\_ NH No-Hub  
\_\_\_\_\_ NL Neo-Loc

**'E' BODY HT. DIM.**

5-1/4 [133]

4-5/8 [117]

#### PREFIXES

\_\_\_ Z D.C.C.I. Body with Collar\*

#### SUFFIXES

- \_\_\_ -AR Acid Resistant Epoxy Coated
- \_\_\_ -C Underdeck Clamp
- \_\_\_ -DP Top-Set® Deck Plate (Replaces both the -C and -R)
- \_\_\_ -E 2 [51] High Static Extension (Specify Ht.)
- \_\_\_ -EB Top-Set® Adjustable Extension Assembly
- \_\_\_ -G Galvanized Cast Iron
- \_\_\_ -HD High Dome
- \_\_\_ -R Roof Sump Receiver
- \_\_\_ -TC Neo-Loc Test Cap Gasket (2,3,4 [51,76,102] NL Bottom Outlet Only)

\* Regularly furnished unless otherwise specified.

Zurn Industries, LLC | Specification Drainage Operation  
1801 Pittsburgh Avenue, Erie, PA U.S.A. 16502 · Ph. 855-663-9876, Fax 814-454-7929  
In Canada | Zurn Industries Limited  
3544 Nashua Drive, Mississauga, Ontario L4V 1L2 · Ph. 905-405-8272, Fax 905-405-1292  
[www.zurn.com](http://www.zurn.com)

Rev. -  
Date: 6/5/2018  
C.N. No. 140102  
Prod. | Dwg. No. Z122-79