



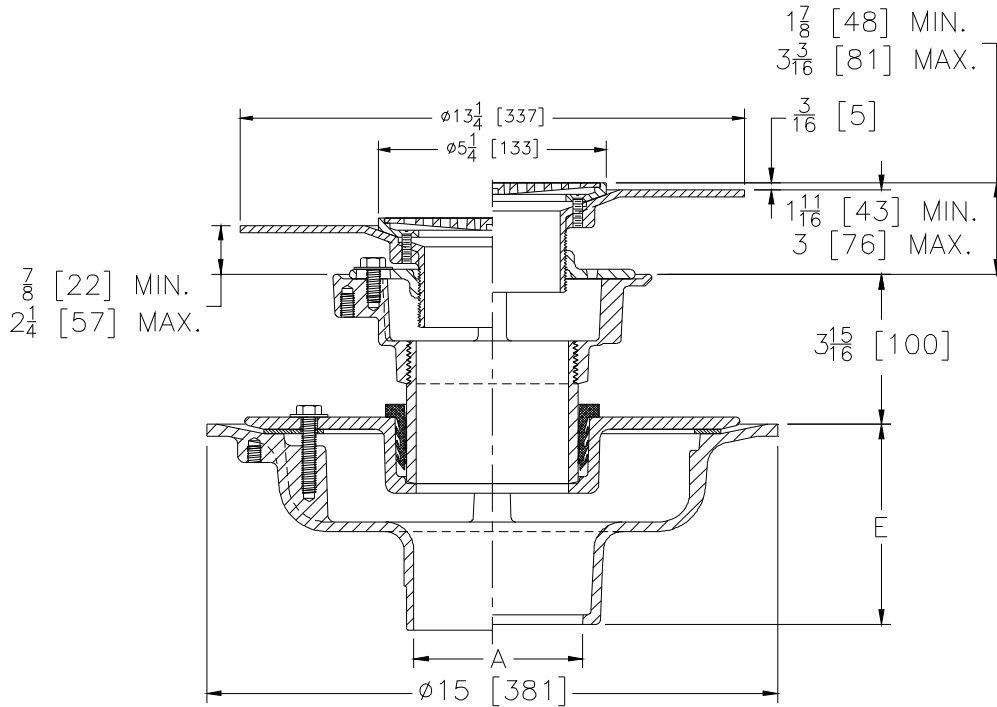
Z625-109

ISOLATION DECK ADJUSTABLE DRAIN WITH TYPE "BL" STRAINER

SPECIFICATION SHEET

TAG _____

Dimensional Data (inches and [mm]) are Subject to Manufacturing Tolerances and Change Without Notice



A Pipe Size In. [mm]	Approx. Wt. Lbs. [kg]	Grate Open Area Sq. In. [cm ²]
2,3,4 [51,76,102]	42 [19]	9 [58]
5,6 [127,152]		

ENGINEERING SPECIFICATION: ZURN ZN625-109

Adjustable isolation deck drain, Dura-Coated cast iron upper and lower bodies, upper and lower clamp collars, neoprene flex gasket, isolation nipple and "Type BL" Dura-Coated cast iron wide flanged head and polished nickel bronze, light-duty strainer.

OPTIONS (Check/specify appropriate options)

PIPE SIZE

- 2,3,4,5,6 [51,76,102,127,152]
- 2,3,4,6 [51,76,102,152]
- 2,3,4,5,6 [51,76,102,127,152]
- 2,3,4,5,6 [51,76,102,127,152]
- 2,3,4 [51,76,102]

(Specify size/type) **OUTLET**

- _____ IC Inside Caulk
- _____ IG Inside Gasket
- _____ IP Threaded
- _____ NH No-Hub
- _____ NL Neo-Loc

'E' BODY HT. DIM.

- 5-1/4 [133]
- 5-1/4 [133]
- 3-3/4 [95]
- 5-1/4 [133]
- 4-5/8 [117]

PREFIXES

- _____ ZB D.C.C.I Body w/ Polished Bronze Top
- _____ ZN D.C.C.I Body w/ Polished Nickel Bronze Top*

SUFFIXES

- _____ -C Underdeck Clamp (Lower Body)
- _____ -G Galvanized Cast Iron
- _____ -PC Protective Cover
- _____ -R Sump Receiver (Lower Body)
- _____ -U 3 [76] High Extension Adapter (Upper Body)
- _____ -VP Vandal-Proof Secured Top
- _____ -Y Sediment Bucket (Upper Body)

* Regularly furnished unless otherwise specified.