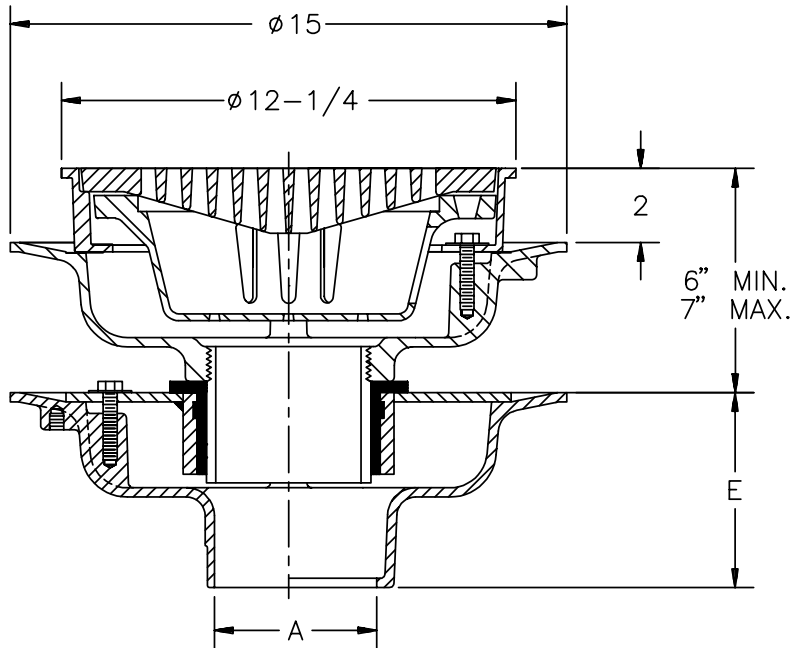




Z-624-75 ISOLATION DECK DRAIN

TAG _____

Dimensional Data (inches and [mm]) are Subject to Manufacturing Tolerances and Change Without Notice



A- Pipe Size In.	Approx. Wt. Lbs.	Grate Open Area Sq. In.
2-3-4	85	29
5-6		

ENGINEERING SPECIFICATION: ZURN Z-624-75 Dura-Coated cast iron upper and lower bodies, promanade frame and heavy dury, grate with combination membrane flashing clamp/gravel guare, (lower body) clamp collar, neoprene flex gasket and isolation nipple.

OPTIONS (Check/specify appropriate options)

OUTLET (Specify type)

- _____ **IC** Inside Caulk
- _____ **IG** Inside Caulk w/Sealtrol Gskt.
- _____ **IP** Threaded
- _____ **NH** No-Hub
- _____ **NL** Neo-Loc
- _____ **NL** Neo-Loc

PIPE SIZE (Specify size)

- _____ 2" thru 6"
- _____ 2",3",4",6"
- _____ 2" thru 6"
- _____ 2" thru 6"
- _____ 2" thru 6"
- _____ 5",6"

'E' BODY HT. DIMENSION

- 5-1/4"
- 5-1/4"
- 3-3/4"
- 5-1/4"
- 4-5/8"
- 5-1/2"

PREFIXES

- _____ **Z-** D.C.C.I. Body and Grate*
- _____ **ZB-** D.C.C.I. Body with Polished Bronze Grate (Add 3/16" to 4-1/4" & 5-1/4" Dim)
- _____ **ZN-** D.C.C.I. Body with Polished Nickel Bronze Grate (Add 3/16" to 4-1/4" & 5-1/4" Dim.)

SUFFIXES

- _____ **-C** Underdeck Clamp (Lower Body)
- _____ **-DX** Dex-o-tex Flange (Upper Body)
- _____ **-G** Galvanized Cast Iron
- _____ **-R** Sump Receiver (Lower Body)
- _____ **-VP** Vandal Proof Secured Top

REV.	DATE: 6/14/93	C.N. NO. 69075
DWG. NO. P-13826		PRODUCT NO. Z-624-75

*REGULARLY FURNISHED UNLESS OTHERWISE SPECIFIED