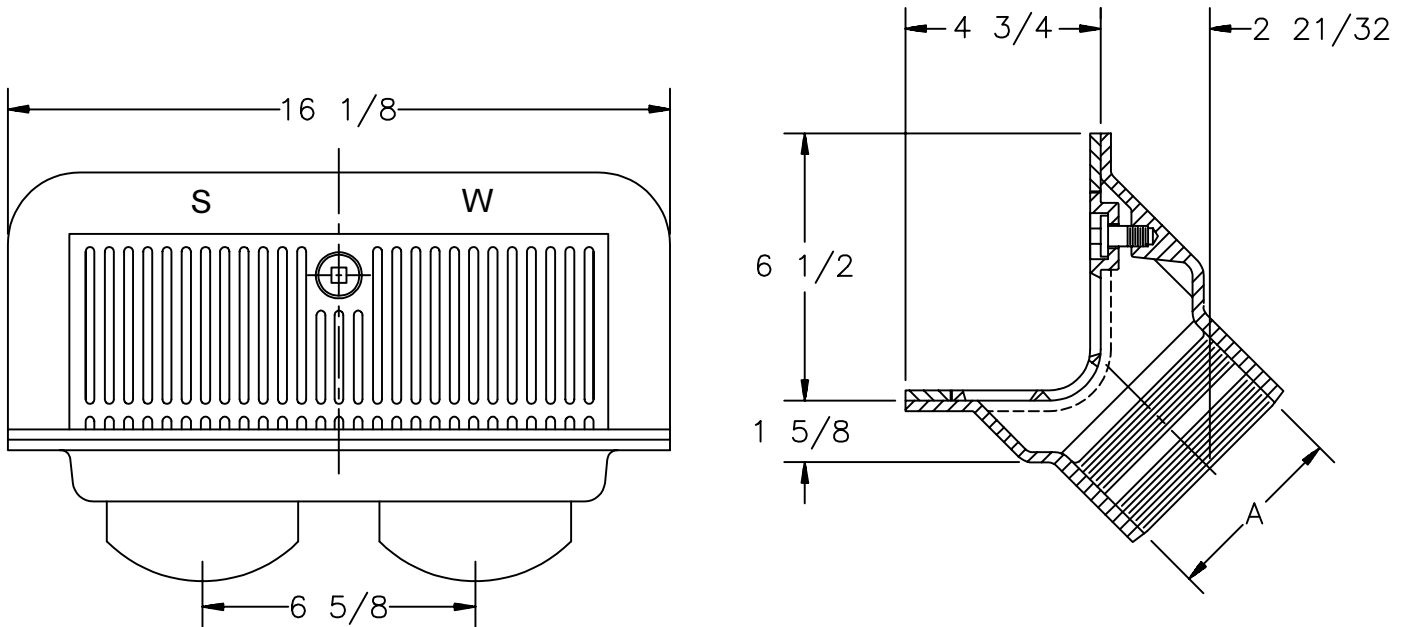




**Z-189-76 5" x 6" x 16"
SCUPPER DRAIN WITH
DOUBLE OUTLET**

TAG _____

Dimensions Subject to Manufacturing Tolerances



A Pipe Size In.	Approx. Wt. Lbs.	Grate Open Area Sq. In.
2	25	26
3		
4		

ENGINEERING SPECIFICATION: ZURN Z-189-78 5" x 6" x 16" Scupper drain, Dura-Coated cast iron body with 45° double outlet and flush type strainer with locking device combination frame and membrane flashing clamp and (1) one brass closure plug.

OPTIONS (Check/specify appropriate options)

OUTLET (Specify type)

- _____ **IP** Threaded
- _____ **NH** No-Hub

PIPE SIZE (Specify size)

- _____ 2" thru 4"
- _____ (IPw/Z-1040)

PREFIXES

- _____ **Z-** D.C.C.I. Body with Grate*
- _____ **ZB-** D.C.C.I. Body with Polished Grate
- _____ **ZN-** D.C.C.I. Body with Polished Nickel Bronze Grate

SUFFIXES

- _____ **-AR** Acid Resisting Epoxy Coated Finish
- _____ **-G** Galvanized Cast Iron

REV. _____	DATE: <u>1/8/93</u>	C.N. NO. <u>68802</u>
DWG. NO. <u>P-13782</u>	PRODUCT NO. <u>Z-189-76</u>	

*REGULARLY FURNISHED UNLESS OTHERWISE SPECIFIED