



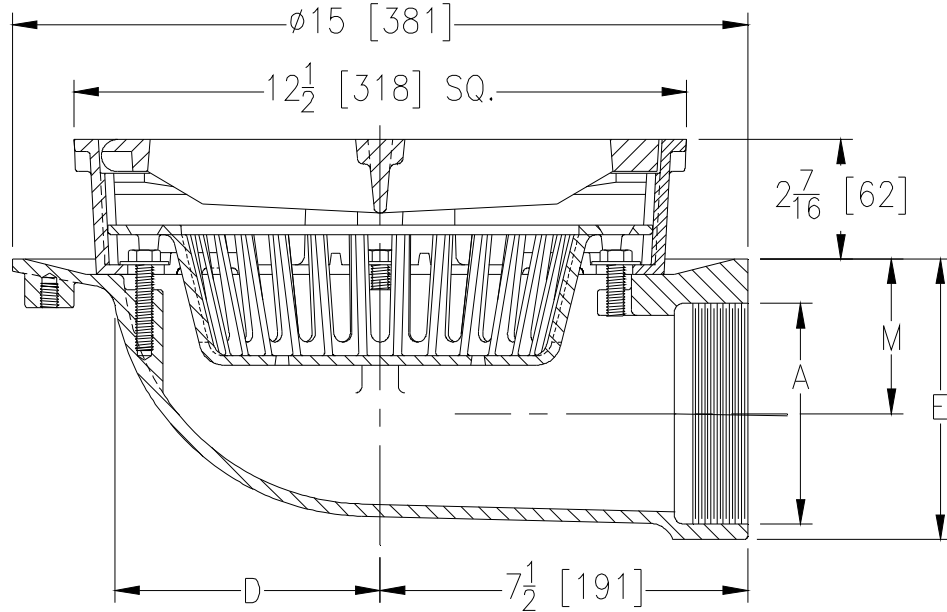
# Z610-90

## 12-1/2 [318] SQUARE TOP HEAVY-DUTY DRAIN WITH SIDE OUTLET

SPECIFICATION SHEET

TAG \_\_\_\_\_

Dimensional Data (inches and [ mm ]) are Subject to Manufacturing Tolerances and Change Without Notice



Dimensions In Inches [mm]			Approx. Wt. Lbs. [kg]	Grate Open Area Sq. In [cm <sup>2</sup> ]
A Pipe Size	D	M		
2 [51]	5-7/16 [138]	4-1/4 [108]	68 [31]	42 [271]
3 [76]	5-7/16 [138]	3-11/16 [94]	67 [30]	
4 [102]	5-7/16 [138]	3-3/16 [81]	66 [30]	
6 [152]	5-1/2 [140]	4-1/4 [108]	77 [35]	

**ENGINEERING SPECIFICATION: ZURN Z610-90**  
 12-1/2" [318mm] Square top heavy-duty drain. Dura-Coated cast iron body with side outlet, seepage pan and combination membrane flashing clamp and frame for heavy-duty cast iron loose slotted grate with suspended polypropylene sediment bucket.

**OPTIONS** (Check/specify appropriate options)

**PIPE SIZE**

2, 3, 4 [51, 76, 102]  
 6 [152]

(Specify size) **OUTLET**

\_\_\_\_\_ IP Threaded  
 \_\_\_\_\_ IP Threaded

**E BODY HT. DIM.**

5-3/4 [146]  
 7-7/8 [200]

**PREFIXES**

- \_\_\_\_\_ Z D.C.C.I. Body and Grate\*
- \_\_\_\_\_ ZB D.C.C.I. Body with Polished Bronze Top (Add 3/16 [5] to 2-1/2 [63] Dim. and 3/4 [19] to 12-1/2 [317] Dim.)
- \_\_\_\_\_ ZN D.C.C.I. Body with Polished Nickel Bronze Top (Add 3/16 [5] to 2-1/2 [63] Dim. and 3/4 [19] to 12-1/2 [317] Dim.)

**SUFFIXES**

- \_\_\_\_\_ -AR Acid Resistant Epoxy Coated Cast Iron
- \_\_\_\_\_ -DG Duresist Grate
- \_\_\_\_\_ -DS Ductile Iron Solid Cover
- \_\_\_\_\_ -DX Dex-o-tex Flange (ZB, ZN Only)
- \_\_\_\_\_ -F 2 [51] High Extension
- \_\_\_\_\_ -G Galvanized Cast Iron
- \_\_\_\_\_ -H Hinged Grate
- \_\_\_\_\_ -HC Hinged Solid Cover
- \_\_\_\_\_ -HL Hinged Locking Grate
- \_\_\_\_\_ -HLC Hinged Locking Cover
- \_\_\_\_\_ -LY (Less) Sediment Bucket
- \_\_\_\_\_ -SC Solid Cover
- \_\_\_\_\_ -SS Stainless Steel Mesh Liner for Bucket
- \_\_\_\_\_ -TS Top Secured with Slotted Screws
- \_\_\_\_\_ -VP Vandal-Proof Secured Top
- \_\_\_\_\_ -YA Aluminum Sediment Bucket
- \_\_\_\_\_ -YC Cast Iron Sediment Bucket

\* Regularly furnished unless otherwise specified.