



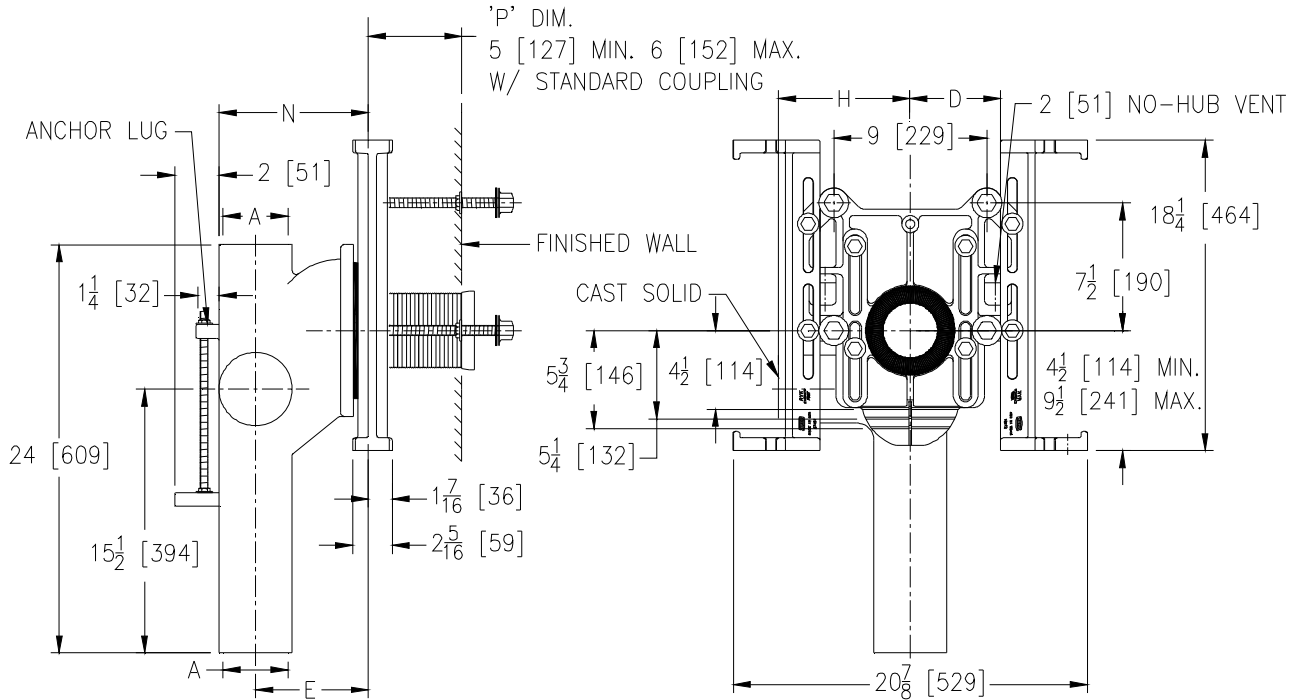
# Z1204-N-RYK

## ADJUSTABLE VERTICAL SIPHON JET-NO-HUB WITH UNISTRUT PRE-FAB FOOT

SPECIFICATION SHEET

TAG \_\_\_\_\_

Dimensional Data (inches and [ mm ]) are Subject to Manufacturing Tolerances and Change Without Notice



**Note:**

1. Min. 'P' Dim. Obtainable = 2 [51]
2. 2 [51] No-Hub vent connection regularly furnished on right hand side. Left hand available when specified (Suffix-VL)
3. Auxiliary inlet available right (-JR) or left (-JL) or both sides (-JJ) when specified.
4. Feet bolted to floor using min. 1/2 [13] dia. bolts and back slot on carrier feet.
5. Back anchor foot required for secure installation.

Product No.	Dimensions In Inches					Approx. Wt. Lbs. [kg]
	A	D	E	H	N	
Z1204-N4-RYK	4 [102]	5 [127]	6-5/8 [168]	5-1/2 [140]	8-7/8 [225]	80 [36]
Z1204-N5-RYK	5 [127]	5-1/2 [140]	6-5/8 [168]	6-1/2 [165]	9-3/8 [238]	85 [39]
Z1204-N6-RYK	6 [152]	6 [152]	7-1/8 [181]	6-1/2 [165]	10-3/8 [264]	95 [43]

**ENGINEERING SPECIFICATION: ZURN Z1204-N( )-RYK**

Adjustable, vertical siphon jet water closet "Rigid System" with ( ) size No-Hub connections and ( ) side inlets. Complete with Dura-Coated cast iron right hand, left hand, or double main fitting, with 2 [51] vent, adjustable gasketed faceplate, unistrut pre-fab foot supports, corrosion resistant adjustable ABS coupling with integral test cap, fixture bolts, trim, and stud protectors. Rear anchor tie down and bonded "Neo-Seal" gasket.

**PRODUCT/DEFINITION**

\_\_\_ Z1204-N( )-RYK No-Hub Stack, Single Inlet, 2 [51] Right Hand Vent

**PREFIXES**

- \_\_\_ Z D.C.C.I. System with Zurn "ZZ" Adjustable Coupling\*
- \_\_\_ ZC D.C.C.I. System with Compression Fit Faceplate
- \_\_\_ ZQ D.C.C.I. System with NPT Faceplate, Non-Adjustable Coupling

**SUFFIXES**

- \_\_\_ -A Auxiliary Support Assembly (For P-Dim. Greater than 18 [457])
- \_\_\_ -B Blowout Type Fixture Support
- \_\_\_ -BC Back Cleanout
- \_\_\_ -CC Corrosion Resistant Cast Iron Coupling (6 to 12 [152] to [305])
- \_\_\_ -CL Coupling Length Greater than 12 [152] (Specify Length Required.)
- \_\_\_ -F Floor Mount, Back Outlet Fixture Support
- \_\_\_ -G Galvanized Cast Iron
- \_\_\_ -JJ Two 2" [51] Auxiliary Inlets
- \_\_\_ -JL 2 [51] Left-Hand Auxiliary Inlet
- \_\_\_ -JR 2 [51] Right-Hand Auxiliary Inlet
- \_\_\_ -M Auxiliary Foot Support (For P-Dim. 10-18 [254-457])
- \_\_\_ -VL Left Hand Vent Connection
- \_\_\_ -VP Vandal-Proof Trim
- \_\_\_ -29 Mechanical Test Cap Assembly (Previously Z1210-29)
- \_\_\_ -45 Finishing Frame for Siphon Jet System
- \_\_\_ -50 Flush Valve Supply Support for W.C.
- \_\_\_ -61 "ZZ" Coupling Wrench

\*REGULARLY FURNISHED UNLESS OTHERWISE SPECIFIED

REV. -	DATE: 1/17/12	C.N. NO. 122689
<b>DWG. NO. 308674 PRODUCT NO. Z1204-N-RYK</b>		

ZURN INDUSTRIES, LLC ♦ SPECIFICATION DRAINAGE OPERATION ♦ 1801 Pittsburgh Ave. ♦ Erie, PA 16514

Phone: 814455-0921 ♦ Fax: 814454-7929 ♦ World Wide Web: www.zurn.com

In Canada: ZURN INDUSTRIES LIMITED ♦ 3544 Nashua Drive ♦ Mississauga, Ontario L4V1L2 ♦ Phone: 905405-8272 Fax: 905405-1292