



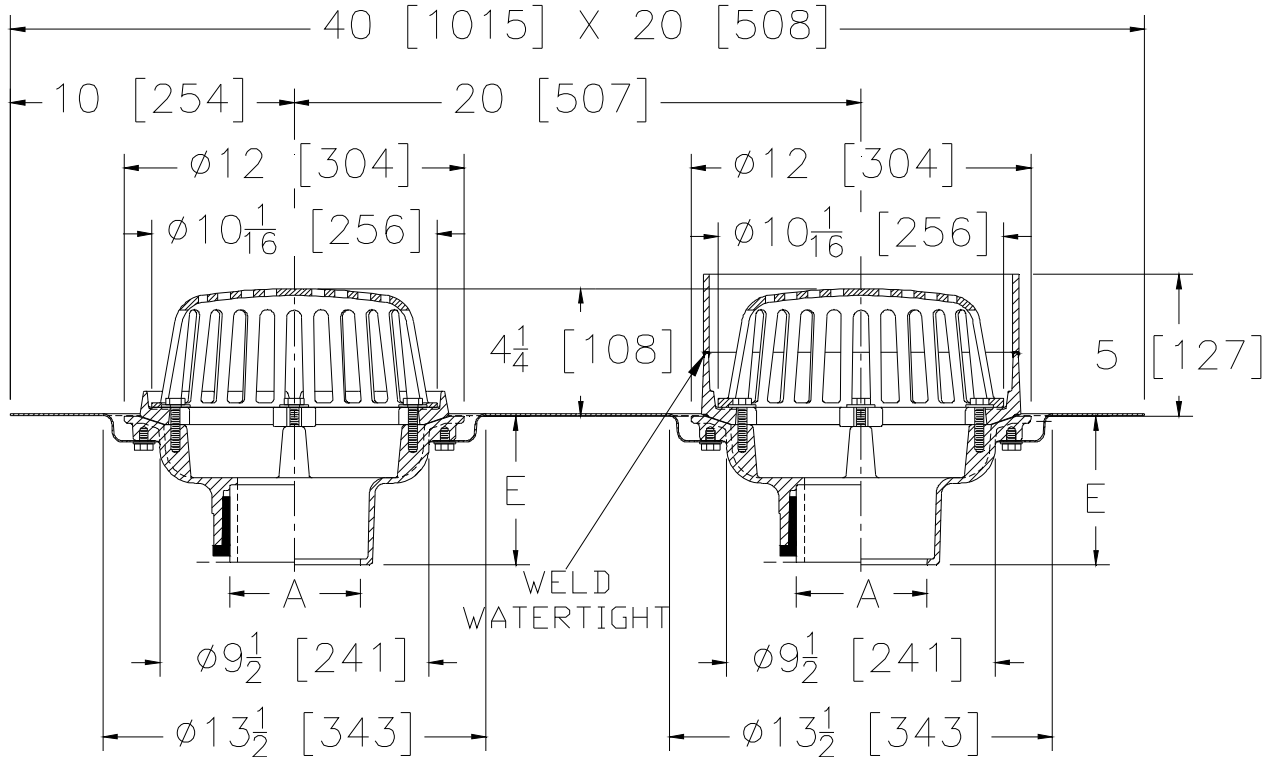
# Z164-78

## 12 [305] DIAMETER COMBINATION MAIN ROOF AND 5 [127] OVERFLOW DRAIN WITH LOW SILHOUETTE DOMES AND DOUBLE TOP SET® DECK PLATE

SPECIFICATION SHEET

TAG \_\_\_\_\_

Dimensional Data (inches and [ mm ]) are Subject to Manufacturing Tolerances and Change Without Notice



A- Pipe Size In.	Approx. Wt. Lbs. [kg]	Dome Open Area Sq. In. [cm <sup>2</sup> ]
2-3-4-5-6 [51-76-102-127-152]	31 [14]	78 [503]

**ENGINEERING SPECIFICATION: ZURN Z164-78**  
 12 [305] Diameter roof drain and overflow drain, Dura-Coated cast iron bodies with combination membrane flashing clamp/gravel guard, 5 [127] external water dam, double Top-Set® deck plate, and low silhouette cast iron domes.

**OPTIONS** (Check/specify appropriate options)

**PIPE SIZE**

- 2 thru 6 [51 thru 152]
- 2 thru 6 [51 thru 152]
- 2 thru 6 [51 thru 152]
- 2, 3, 4 [51, 76, 102]

(Specify size/type) **OUTLET**

- \_\_\_\_\_ IC Inside Caulk
- \_\_\_\_\_ IP Threaded
- \_\_\_\_\_ NH No-Hub
- \_\_\_\_\_ NL Neo-Loc

**E BODY HT. DIM.**

- 5-1/4 [133]
- 3-3/4 [95]
- 5-1/4 [133]
- 4-5/8 [117]

**PREFIXES**

- \_\_\_\_\_ Z D.C.C.I. Body with Dome\*
- \_\_\_\_\_ ZA D.C.C.I. Body with Aluminum Dome
- \_\_\_\_\_ ZRB D.C.C.I. Body with Plain Bronze Dome

**SUFFIXES**

- \_\_\_\_\_ -AR Acid Resistant Epoxy Coated Finish
- \_\_\_\_\_ -BS Bronze Mesh Screen Over Dome
- \_\_\_\_\_ -E Static Extension 1 thru 4 [25 thru 102] (Specify Ht.)
- \_\_\_\_\_ -G Galvanized Cast Iron
- \_\_\_\_\_ -SC Secondary Clamping Collar
- \_\_\_\_\_ -SS Stainless Steel Mesh Screen Over Dome
- \_\_\_\_\_ -TC Neo-Loc Test Cap Gasket  
2-4 [51-102] NL Bottom Outlet Only)
- \_\_\_\_\_ -VP Vandal Proof Secured Top
- \_\_\_\_\_ -XJ Vertical Expansion Joint (See Z190)
- \_\_\_\_\_ -84 Stainless Steel Perforated Gravel Guard
- \_\_\_\_\_ -85 Stainless Steel Perforated Extension

\*REGULARLY FURNISHED UNLESS OTHERWISE SPECIFIED

REV.	DATE: 08/03/11	C.N. NO. 121823
DWG. NO. 306998	PRODUCT NO. Z164-78	