



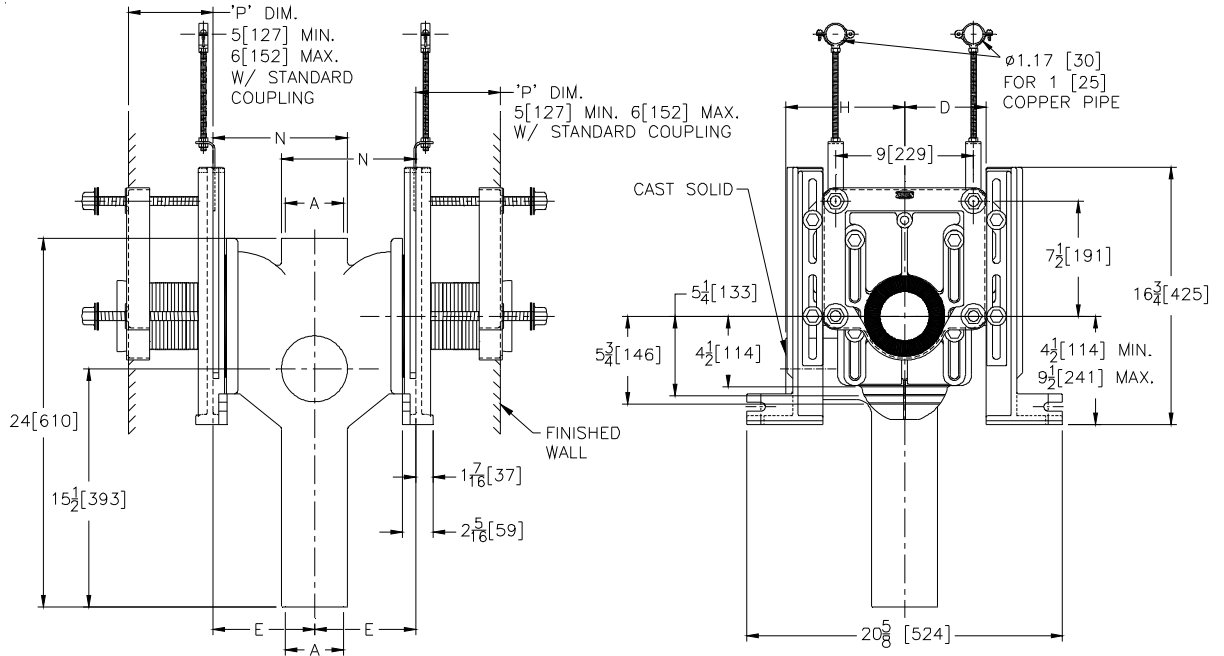
Z1204-ND-PS-45-50

ADJUSTABLE VERTICAL SIPHON JET NO-HUB
W/ PRE-FAB SLOTTED FEET, FINISHING FRAME &
FLUSH VALVE SUPPORT (10 [254] DEPTH FRONT TO BACK)

SPECIFICATION SHEET

TAG _____

Dimensional Data (inches and [mm]) are Subject to Manufacturing Tolerances and Change Without Notice



Product No.	Dimensions In Inches [mm]					Approx. Wt. Lbs. [kg]
	A	D	E	H	N	
Z1204-ND4-PS-45-50	4[102]	5[127]	6-5/8[168]	5-1/2[140]	13-1/4[336]	139 [63]
Z1204-ND5-PS-45-50	5[127]	5-1/2[140]	6-5/8[168]	6-1/2[165]	13-1/4[336]	140 [63]
Z1204-ND6-PS-45-50	6[152]	6[152]	7-1/8[181]	6-1/2[165]	14-1/4[362]	145 [66]

Note:

1. Min. 'P' Dim. Obtainable=2[51]
2. Two 4[102] or 5[127] side inlets as indicated.
3. Feet bolted to floor using min. 1/2[13] dia. bolts and back slots on carrier feet.

ENGINEERING SPECIFICATION: ZURN Z1204-ND()-PS-45-50

Adjustable, vertical siphon jet water closet "Rigid System" with () size No-Hub connections and () side inlets. Complete with Dura-Coated cast iron right and left hand fitting, with 2[51] vent, adjustable gasketed face plate, finishing frames, pre-fab slotted foot supports, corrosion resistant adjustable ABS coupling with integral test cap, fixture bolts, flush valve supports, trim, stud protectors and bonded "Neo-Seal" gaskets.

PRODUCT/DEFINITION

_____ **Z1204-ND()-PS-45-50** No-Hub Stack, Double Inlets, 2[51] Vent.

PREFIXES

- _____ **Z** D.C.C.I. System with Zurn "ZZ" Adjustable Coupling*
- _____ **ZQ** D.C.C.I. System with Non-Adjustable Coupling

SUFFIXES

- _____ **-A** Auxiliary Support Assembly (For P-Dim. greater than 18[457])
- _____ **-B** Blowout Type Fixture Support
- _____ **-BC** Back Cleanout
- _____ **-CC** Cast Iron Coupling 6[152] Long
- _____ **-CL** Coupling Length Greater than 12[305] (Specify length if greater than 6[152])
- _____ **-G** Galvanized Cast Iron
- _____ **-JJ** 2[51] Auxiliary Inlet
- _____ **-JL** 2[51] Left Hand Auxiliary Inlet
- _____ **-JR** 2[51] Right Hand Auxiliary Inlet
- _____ **-M** Auxiliary Foot Support (For P-Dim. 10[254] 18[457])
- _____ **-T** Threaded Stack Connection (Available on Restricted Basis Only)
- _____ **-VP** Vandal Proof Trim
- _____ **-W** Adapter for Womens Urinal
- _____ **-29** Mechanical Test Cap Assembly (Previously Z1210-29)
- _____ **-61** "ZZ" Coupling Wrench

REV.	DATE: 03/26/12	C.N. NO. 124105
DWG. NO. 309310	PROD. NO. Z1204-ND-PS-45-50	

*REGULARLY FURNISHED UNLESS OTHERWISE SPECIFIED