



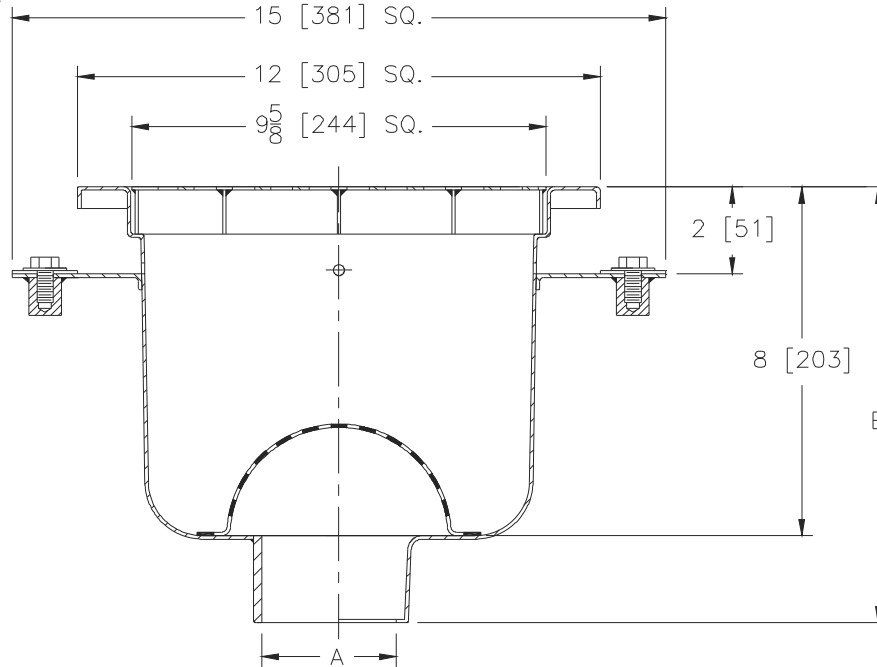
# Z1751-KC

12 X 12 [305 X 305] SANI-FLOR RECEPTOR 8 [203] SUMP  
DEPTH W/ ANCHOR FLANGE WITH SEEPAGE HOLES  
AND CLAMP COLLAR

SPECIFICATION SHEET

TAG \_\_\_\_\_

Dimensional Data (inches and [ mm ]) are Subject to Manufacturing Tolerances and Change Without Notice



A Pipe Size In. [mm]	Approx. Wt. Lbs. [kg]	Grate Open Area Sq. In. [cm <sup>2</sup> ]
2,3,4 [51,76,102]	19 [9]	23 [148]
6 [152]	21 [9]	23 [148]

### ENGINEERING SPECIFICATION: ZURN Z1751-KC

12" x 12" x 8" [305mm x 305mm x 203mm] Deep, 16 gage, all Type 304 (CF8) Stainless Steel light-duty Sani-Flor receptor with non-tilt, loose set full grate with 1/2" [13mm] square openings, anchor flange with seepage holes and clamp collar, and anti-splash interior dome strainer.

### OPTIONS (Check/specify appropriate options)

#### PIPE SIZE

3,4 [76,102]  
2,3,4,6 [51,76,102,152]  
2,3,4 [51,76,102]

#### (Specify size/type) OUTLET

\_\_\_ IC Inside Caulk  
\_\_\_ NH No-Hub  
\_\_\_ NL Neo-Loc

#### 'E' BODY HT. DIM.

10-9/16 [268]  
10-1/16 [256]  
9-13/16 [249]

#### PREFIXES

\_\_\_ Z Type 304 (CF8) Stainless Steel Body\*  
\_\_\_ ZM Type 316 (CF8M) Stainless Steel

#### SUFFIXES

___-DX	Dex-O-Tex Flange	___-2	1/2 Grate
___-HD	Extra Heavy-Duty Grate	___-3	3/4 Grate
___-HP	Heel-Proof Grate	___-4	Full Grate w/ 3 [76] Square Center Opening
___-P	1/2 [13] Trap Primer Connection	___-5	Grate w/ 4 [102] Dia. x 3-3/4 [95] High Type 304 Stainless Steel Funnel
___-SG	Solid Gasketed Cover	___-8	Grate w/ 9 [229] Dia. x 3-1/2 [90] High Type 304 Stainless Steel Oval Funnel
___-TC	Neo-Loc Test Cap Gasket (2,3,4 [51,76,102] NL Bottom Outlet Only)	___-15	Solid Cover
___-VP	Vandal-Proof Secured Top	___-16	1/2 Solid Cover
___-Y	Sediment Bucket	___-19	Full Hinged Grate
___-1	(Less) Grate	___-20	Full Hinged Solid Cover

\* Regularly furnished unless otherwise specified.