



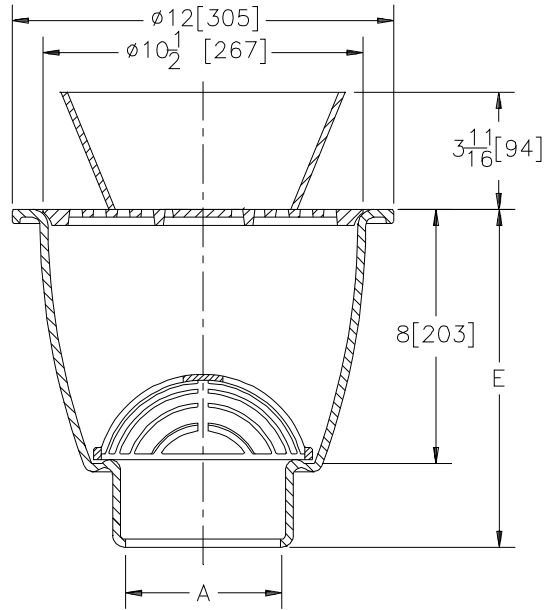
Z1950-8

12 [305] DIAMETER A.R.E. SANI-FLOR RECEPTOR
8 [203] SUMP DEPTH W/ 4 [102] HIGH OVAL FUNNEL

SPECIFICATION SHEET

TAG _____

Dimensional Data (inches and [mm]) are Subject to Manufacturing Tolerances and Change Without Notice



A Pipe Size In. [mm]	Approx Wt. Lbs.[kg]	Grate Open Area Sq. In. [cm ²]
2, 3, 4 [51, 76, 102]	38 [17]	22 [142]

ENGINEERING SPECIFICATION: ZURN Z1950-8

Sani-Flor receptor 12" [305mm] diameter x 8" [203mm] deep cast iron body and round slotted light duty grate with 8-7/8" x 3-5/8" x 3-3/4" [225mm x 92mm x 95mm] high funnel, with white acid resisting porcelain enamel interior and top, black ground enamel exterior coating, and white ABS anti-splash interior bottom dome strainer.

OPTIONS (Check/specify appropriate options)

PIPE SIZE

(Specify size/type) **OUTLET**

'E' BODY HT. DIMENSION

3, 4 [76, 102]
2, 3, 4 [51, 76, 102]
2, 3, 4 [51, 76, 102]

___ IC Inside Caulk
___ NH No-Hub
___ NL Neo-Loc

Z	ZN
10-5/8 [270]	11 [279]
10-5/8 [270]	11 [279]
10 [254]	10-3/8 [264]

PREFIXES

___ Z Cast Iron Body with White A.R.E. Interior*
___ ZN Cast Iron Body with White A.R.E. Interior, 12-1/2 [321] N.B. Frame and Full Grate with 1/4 [6] Square Openings

SUFFIXES

___ -K Anchor Flange With Seepage Holes
___ -KC Flange w/ Seepage Holes and Clamping Collar
___ -LD (Less) Internal Bottom Dome Strainer
___ -P 1/2 [13] Threaded Trap Primer Connection (See Z1023)
___ -TC Neo-Loc Test Cap Gasket (2, 3, 4 [51, 76, 102] NL Bottom Outlet Only)
___ -11 Vandal-Proof Secured Grate (ZN Only)
___ -23 Aluminum Bucket
___ -25 White A.R.E. Bucket
___ -31 Stainless Steel Mesh Liner for Bucket
___ -32 Aluminum Dome Strainer
___ -33 White A.R.E. Anti-Splash Bottom Dome Strainer

* Regularly furnished unless otherwise specified.

Zurn Industries, LLC | Specification Drainage Operation
1801 Pittsburgh Avenue, Erie, PA U.S.A. 16502 · Ph. 855-663-9876, Fax 814-454-7929
In Canada | Zurn Industries Limited
3544 Nashua Drive, Mississauga, Ontario L4V 1L2 · Ph. 905-405-8272, Fax 905-405-1292
www.zurn.com

Rev. A
Date: 10/16/2017
C.N. No. 138855
Prod. | Dwg. No. Z1950-8