



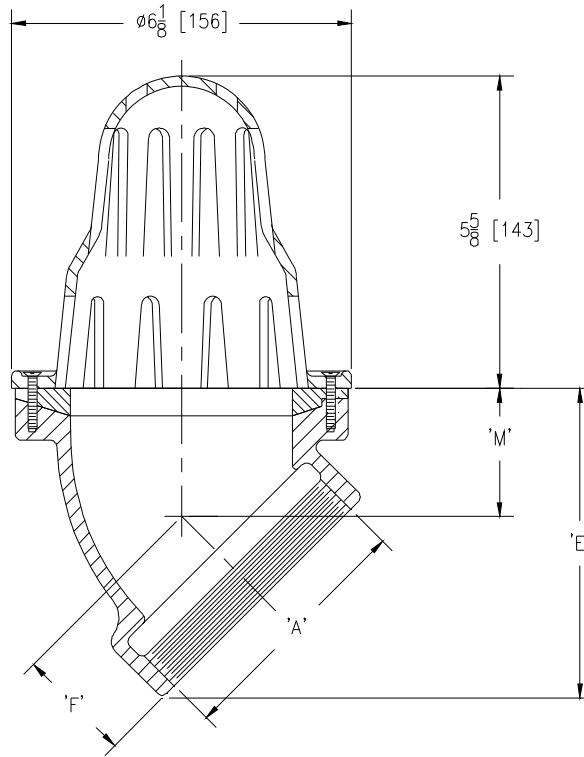
Z185-HD-45

6 [152] DIAMETER CORNICE DRAIN W/ HIGH DOME
AND 45° OUTLET

SPECIFICATION SHEET

TAG _____

Dimensional Data (inches and [mm]) are Subject to Manufacturing Tolerances and Change Without Notice



Dimensions In Inches [mm]			Approx. Wt. Lbs. [kg]	Dome Open Area Sq. In. [cm ²]
'A' Pipe Size	'F'	'M'		
3 [76]	2-1/16 [52]	2-1/4 [57]	9 [4]	20 [129]
4 [102]	2-1/16 [52]	2-5/16 [59]		

ENGINEERING SPECIFICATION: ZURN ZRB185-HD-45

6" [152mm] Diameter cornice drain, Dura-Coated cast iron with 45° outlet body, plain bronze high dome and membrane flashing clamp.

OPTIONS (Check/specify appropriate options)

PIPE SIZE

3 [76]
4 [102]

(Specify size/type) OUTLET

___ IP Threaded
___ IP Threaded

'E' BODY HT. DIM.

5 [127]
5-5/16 [135]

PREFIXES

___ ZRB D.C.C.I. Body with Plain Bronze Dome*
___ ZN D.C.C.I. Body with Polished Nickel Bronze Dome

SUFFIXES

___ -G Galvanized Cast Iron
___ -VP Vandal Proof Secured Top

* Regularly furnished unless otherwise specified.