



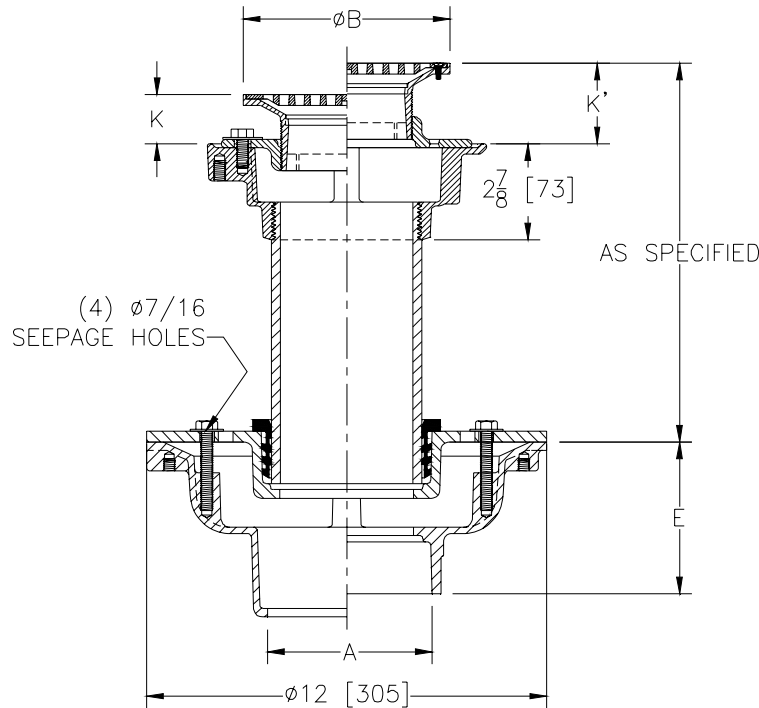
# Z625-98

## ISOLATION DECK ADJUSTABLE DRAIN WITH TYPE 'B' STRAINER AND Z121 LOWER BODY

SPECIFICATION SHEET

TAG \_\_\_\_\_

Dimensional Data (inches and [ mm ]) are Subject to Manufacturing Tolerances and Change Without Notice



Dimensions In Inches						Approx. Wt. Lbs. [kg]	Strainer Open Area Sq. In. [cm <sup>2</sup> ]
A Pipe Size	B Strainer Dia.	K		K'			
		Min.	Max.	Min.	Max.		
2-3 [51-76]	5 [127]	1/2 [13]	1 5/8 [41]	1 3/8 [35]	2 3/8 [60]	34 [15]	8 [52]
2-3-4 [51-76-102]	6 [152]	3/4 [19]	1 3/4 [44]	1 5/8 [41]	2 3/4 [70]	36 [16]	9 [58]
2-3-4 [51-76-102]	7 [178]	1 [25]	2 1/4 [57]	2 [51]	3 1/8 [79]	37 [17]	12 [77]
3-4 [76-102]	8 [203]	1 1/8 [29]	2 1/4 [57]	2 [51]	3 1/8 [79]	39 [18]	18 [116]

### ENGINEERING SPECIFICATION: ZURN ZN625-98

Adjustable isolation deck drain, Dura-Coated cast iron upper and lower bodies, upper and lower clamp collars with seepage holes, neoprene flex gasket, isolation nipple and adjustable "type B" polished, nickel bronze rectangular strainer.

**OPTIONS** (Check/specify appropriate options)

#### PIPE SIZE

2 thru 4 [51 thru 102]  
2 thru 4 [51 thru 102]  
2 thru 4 [51 thru 102]  
2 thru 4 [51 thru 102]

(Specify size/type) **OUTLET**

\_\_\_\_\_ IC Inside Caulk  
\_\_\_\_\_ IP Threaded  
\_\_\_\_\_ NH No-Hub  
\_\_\_\_\_ NL Neo-Loc

**E BODY HT. DIM.**

5 1/4 [133]  
3 3/4 [95]  
5 1/4 [133]  
4 5/8 [117]

#### PREFIXES

\_\_\_\_\_ ZB D.C.C.I Body w/ Polished Bronze Top  
\_\_\_\_\_ ZN D.C.C.I Body w/ Polished Nickel Bronze Top\*

#### SUFFIXES

\_\_\_\_\_ -C Underdeck Clamp (Lower Body)  
\_\_\_\_\_ -DP Top-Set® Deck Plate (Lower Body)  
\_\_\_\_\_ -G Galvanized Cast Iron  
\_\_\_\_\_ -R Sump Receiver (Lower Body)  
\_\_\_\_\_ -U 1 - 3 [25 - 76] High Extension Adapter (Upper Body)  
\_\_\_\_\_ -VP Vandal-Proof Secured Top  
\_\_\_\_\_ -Y Sediment Bucket (Upper Body)

REV. A DATE: 11/19/09 C.N. NO. 110438

DWG. NO. P-15793 PRODUCT NO. Z625-98

\*REGULARLY FURNISHED UNLESS OTHERWISE SPECIFIED

ZURN INDUSTRIES, LLC. ♦ SPECIFICATION DRAINAGE OPERATION ♦ 1801 Pittsburgh Ave. ♦ Erie, PA 16514

Phone: 814/455-0921 ♦ Fax: 814/454-7929 ♦ World Wide Web: www.zurn.com

In Canada: ZURN INDUSTRIES LIMITED ♦ 3544 Nashua Drive ♦ Mississauga, Ontario L4V1L2 ♦ Phone: 905/405-8272 Fax: 905/405-1292