



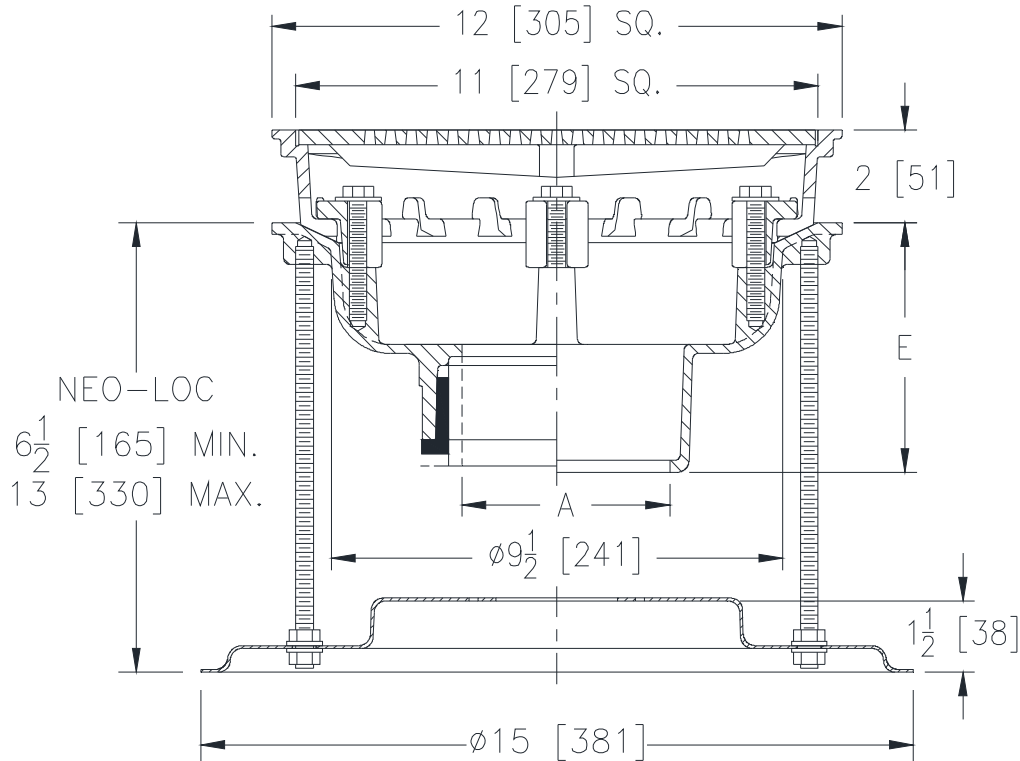
Z154-100

12 [305] SQUARE TOP PROM-DECK DRAIN W/ HEEL-PROOF GRATE, ROTATABLE FRAME & STABILIZER ASSEMBLY

SPECIFICATION SHEET

TAG _____

Dimensional Data (inches and [mm]) are Subject to Manufacturing Tolerances and Change Without Notice



| A Pipe Size In. [mm] | Approx. Wt. Lbs. [kg] | Grate Open Area Sq. In. [cm ²] |
|----------------------------|-----------------------------|--|
| 2,3,4,6 [51,76,102,152] | 29 [13] | 34 [219] |

ENGINEERING SPECIFICATION: ZURN Z154-100

12" [305mm] Square Top Prom-Deck drain, Dura-Coated cast iron body with rotatable light duty square promenade frame with seepage openings, frame clamps, light duty heel-proof grate and stabilizer assembly.

OPTIONS (Check/specify appropriate options)

PIPE SIZE

2,3,4,6 [51,76,102,152]
2,3,4,6 [51,76,102,152]
2,3,4,6 [51,76,102,152]
2,3,4 [51,76,102]

(Specify size/type) OUTLET

___ IC Inside Caulk
___ IP Threaded
___ NH No-Hub
___ NL Neo-Loc

'E' BODY HT. DIM.

5-1/4 [133]
3-3/4 [95]
5-1/4 [133]
4-9/16 [117]

PREFIXES

___ Z D.C.C.I. Body with Top*
___ ZB D.C.C.I. Body with Polished Bronze Top (Add 3/16 [5] to 2 [51] Dim & 5/8 [16] to 12 [305] Dim.)
___ ZN D.C.C.I. Body with Polished Nickel Bronze Top (Add 3/16 [5] to 2 [51] Dim & 5/8 [16] to 12 [305] Dim.)

SUFFIXES

| | |
|--|---|
| ___ -AR Acid Resistant Epoxy Coated | ___ -TC Neo-Loc Test Cap Gasket (2 [51] - 4 [102] NL Bottom Outlet Only) |
| ___ -DG Duresist Grate (Z Only) | ___ -TS Top Secured with Slotted Screws |
| ___ -DT Decorative Polished Top (ZB and ZN Only) | ___ -VP Vandal-Proof Secured Top |
| ___ -E 2 [51] High Static Extension | ___ -XJ Vertical Expansion Joint (See Z190) |
| ___ -G Galvanized Cast Iron | ___ -Y Sediment Bucket |
| ___ -S Secondary Strainer | ___ -85 Stainless Steel Perforated Extension |
| ___ -SC Secondary Clamp Collar | |

* Regularly furnished unless otherwise specified.