



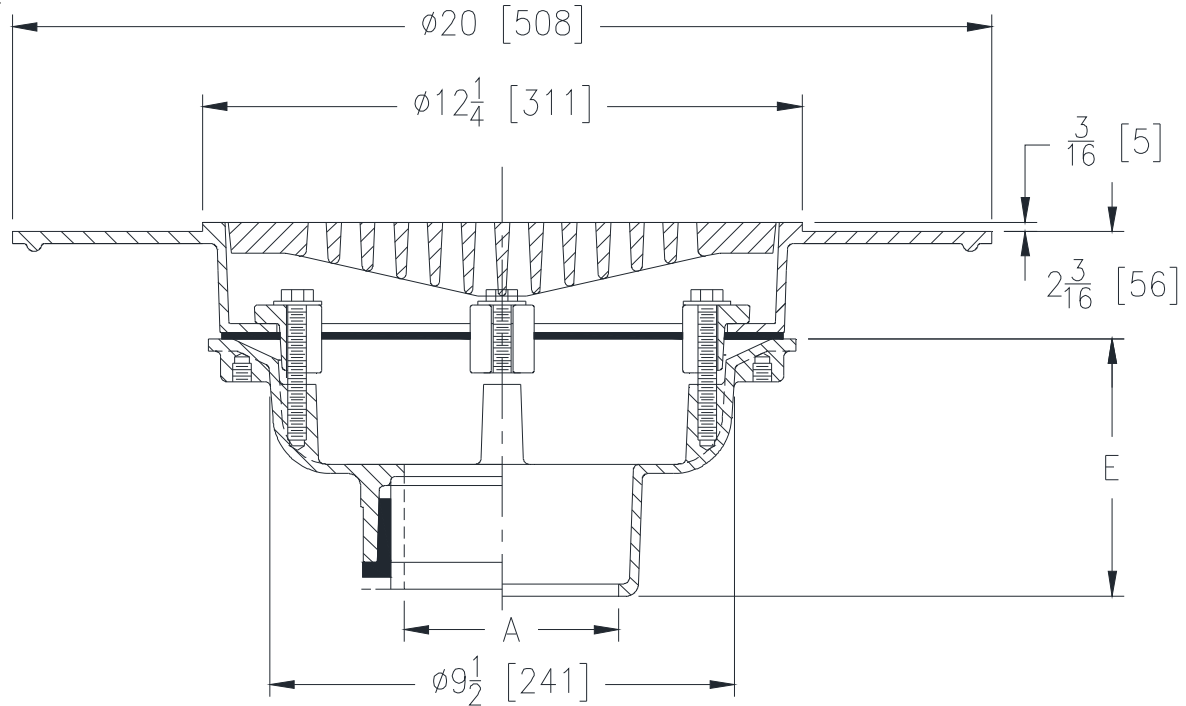
Z550-105

12-1/4 [311] DIAMETER WIDE FLANGE HEAVY-DUTY FLOOR DRAIN

SPECIFICATION SHEET

TAG _____

Dimensional Data (inches and [mm]) are Subject to Manufacturing Tolerances and Change Without Notice



A Pipe Size In [mm]	Approx. Wt. Lbs. [kg]	Grate Open Area Sq. In. [cm ²]
2, 3, 4, 6 [51, 76, 102, 152]	54 [24]	30 [194]

ENGINEERING SPECIFICATION: ZURN Z550-105
 12-1/4" [311mm] Diameter wide flange floor drain, Dura-Coated cast iron body with bottom outlet, seepage pan and combination membrane flashing clamp and frame with latex troweling flange for heavy-duty slotted grate, with suspended sediment bucket.

OPTIONS (Check/specify appropriate options)

PIPE SIZE

- 2, 3, 4, 6 [51, 76, 102, 152]
- 2, 3, 4, 6 [51, 76, 102, 152]
- 2, 3, 4, 6 [51, 76, 102, 152]
- 2, 3, 4 [51, 76, 102]

(Specify size/type) **OUTLET**

- ___ IC Inside Caulk
- ___ IP Threaded
- ___ NH No-Hub
- ___ NL Neo-Loc

'E' BODY HT. DIM.

- 5-1/4 [133]
- 3-3/4 [95]
- 5-1/4 [133]
- 4-9/16 [117]

PREFIXES

- ___ Z D.C.C.I. Body and Top*
- ___ ZN D.C.C.I. Body with Polished Nickel Bronze Top

SUFFIXES

- ___ -AR Acid Resistant Epoxy Coating
- ___ -DG Duresist Grate
- ___ -G Galvanized Cast Iron
- ___ -HP Heel Proof Grate
- ___ -TC Neo-Loc Test Cap Gasket (2,3,4 [51,76,102] NL Bottom Outlet Only)
- ___ -TS Top Secured with Slotted Screws
- ___ -VP Vandal-Proof Secured Top

* Regularly furnished unless otherwise specified.