



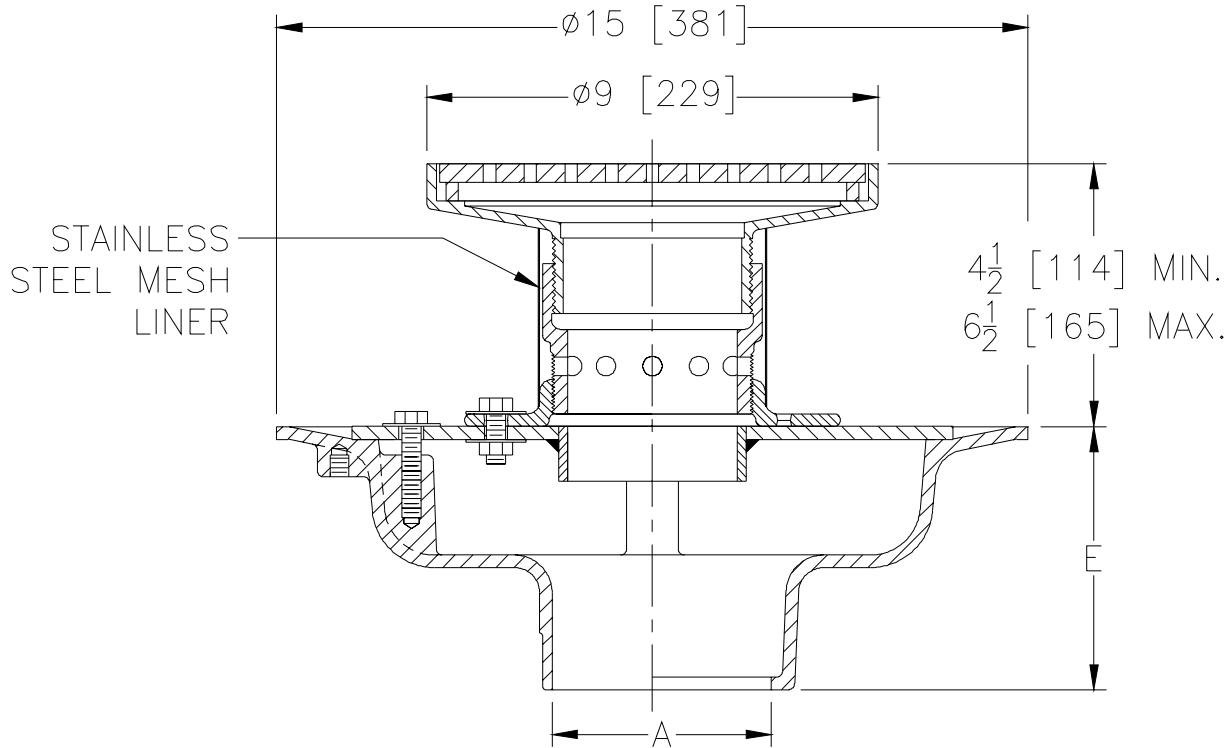
ZN625-80

ISOLATION DECK ADJUSTABLE DRAIN W/ "TYPE U" EXTENSION & ZN400 "TYPE N" STRAINER

SPECIFICATION SHEET

TAG _____

Dimensional Data (inches and [mm]) are Subject to Manufacturing Tolerances and Change Without Notice



A- Pipe Size In.	Approx. Wt. Lbs. [kg]	Strainer Open Area Sq. In. [cm ²]
2-3-4 [50-75-100]	42 [19]	23 [148]
5-6 [125-150]		

ENGINEERING SPECIFICATION: ZURN ZN625-80

Adjustable isolation deck drain, Dura-Coated cast iron lower body with clamp collar, adjustable "Type U" extension with 3/8 [10] dia. seepage holes, stainless steel mesh liner and ZN400-9N heavy-duty, heel-proof grate.

OPTIONS (Check/specify appropriate options)

PIPE SIZE

2 thru 6 [50 thru 150]
2 thru 4, 6 [50 thru 100, 150]
2 thru 6 [50 thru 150]
2 thru 6 [50 thru 150]
2 thru 4 [50 thru 100]

(Specify size/type) OUTLET

___ IC Inside Caulk
___ IG Inside Caulk w/Sealtrol Gskt.
___ IP Threaded
___ NH No-Hub
___ NL Neo-Loc

'E' BODY HT. DIM.

5 1/4 [133]
5 1/4 [133]
3 3/4 [95]
5 1/4 [133]
4 5/8 [117]

PREFIXES

___ ZN- D.C.C.I Body w/Polished Nickel Bronze Top*

SUFFIXES

___ -C Underdeck Clamp
___ -G Galvanized Cast Iron
___ -R Sump Receiver

REV. DATE: 8/25/03 C.N. NO. 91205

DWG. NO. P-15005 PRODUCT NO. ZN625-80

*REGULARLY FURNISHED UNLESS OTHERWISE SPECIFIED

ZURN INDUSTRIES, INC. ♦ SPECIFICATION DRAINAGE OPERATION ♦ 1801 Pittsburgh Ave. ♦ Erie, PA 16514

Phone: 814/455-0921 ♦ Fax: 814/454-7929 ♦ World Wide Web: www.zurn.com

In Canada: ZURN INDUSTRIES LIMITED ♦ 3544 Nashua Drive ♦ Mississauga, Ontario L4V1L2 ♦ Phone: 905/405-8272 Fax: 905/405-1292