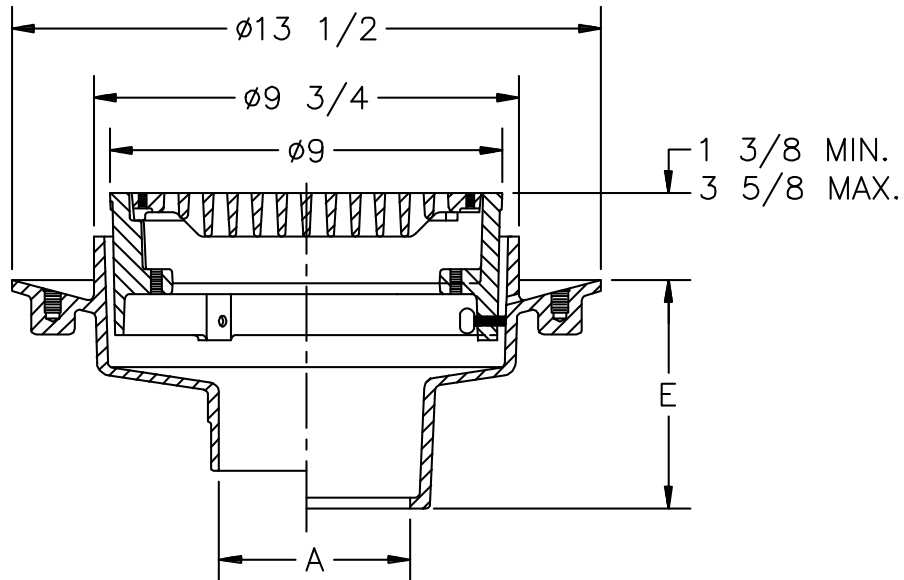




Z-525-77
9" DIAMETER ADJUSTABLE
MEDIUM DUTY DRAIN

TAG _____

Dimensional Data (inches and [mm]) are Subject to Manufacturing Tolerances and Change Without Notice



A Pipe Size In.	Approx. Wt. Lbs.	Grate Open Area Sq. In.
2-3-4	35	28

ENGINEERING SPECIFICATION: ZURN Z-525-77 9" Diameter top drain, Dura-Coated cast iron body with bottom outlet, seepage pan and adjustable extension frame with medium duty cast iron deep slotted grate.

OPTIONS (Check/specify appropriate options)

OUTLET (Specify type)

- _____ **IC** Inside Caulk
- _____ **IG** Inside Caulk w/Sealtrol Gskt.
- _____ **IP** Threaded
- _____ **NH** No-Hub
- _____ **NL** Neo-Loc

PIPE SIZE (Specify size)

- _____ 2", 3", 4"
- _____ 2", 3", 4"
- _____ 2", 3", 4"
- _____ 2", 3", 4"
- _____ 2", 3", 4"

**'E' BODY HT.
DIMENSION**

- 6-1/4"
- 6-1/4"
- 4-1/2"
- 5-1/4"
- 5-3/8"

PREFIXES

- _____ **Z-** D.C.C.I. Body and Grate*
- _____ **ZB-** D.C.C.I. Body with Polished Bronze Grate (Add 3/16" to 1-3/8"-3-5/8" Dim. & 5/8" to 9" Dim.)
- _____ **ZN-** D.C.C.I. Body with Polished Nickel Bronze Grate (Add 3/16" to 1-3/8"-3-5/8" Dim. & 5/8" to 9" Dim.)

SUFFIXES

- _____ **-C** Clamp Collar
- _____ **-D** Dome Grate
- _____ **-DG** Duresist Grate
- _____ **-F** Extension Frame (Specify Height)
- _____ **-G** Galvanized Cast Iron
- _____ **-H** Hinged Grate
- _____ **-P** Trap Primer Connection
- _____ **-S** Secondary Strainer
- _____ **-T** Square Top
- _____ **-VP** Vandal Proof Secured Top
- _____ **-90** 90° Side Outlet Body

*REGULARLY FURNISHED UNLESS OTHERWISE SPECIFIED

REV.	DATE: 7/21/94	C.N. NO. 69902
DWG. NO. P-14007 PRODUCT NO. Z-525-77		