



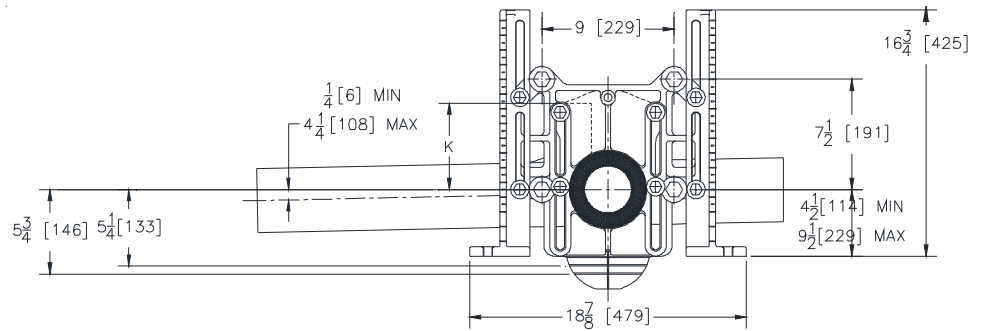
# ZE1203-ND4-JC

ADJUSTABLE HORIZONTAL BACK-TO-BACK SIPHON JET  
NO-HUB W/ ELONGATED FITTING & AUXILIARY INLET

SPECIFICATION SHEET

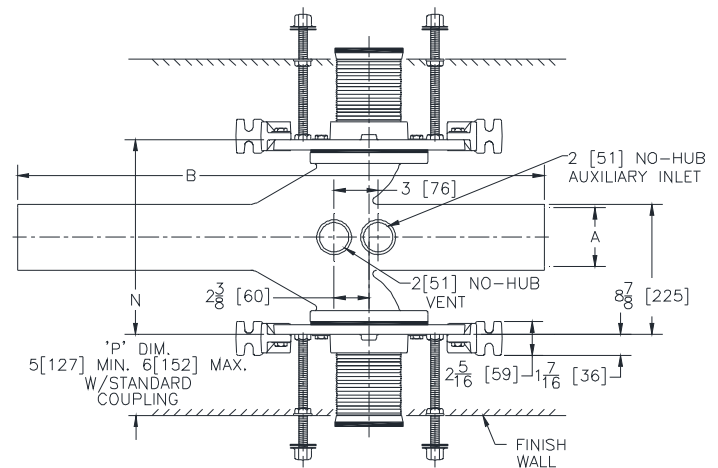
TAG \_\_\_\_\_

Dimensional Data (inches and [ mm ]) are Subject to Manufacturing Tolerances and Change Without Notice



**Note:**

1. Min. 'P' Dim. Obtainable = 2 [51] with cut standard coupling
2. Feet bolted to floor using min. 1/2 [13] dia. bolts and back slots on carrier feet.



Product	Dimensions in Inches [mm]				Approx. Wt. Lbs.
	A	B	K	N	
ZE1203-ND4-JC	4 [102]	36 [914]	6-1/8 [156]	13-3/8 [340]	136[62]

**ENGINEERING SPECIFICATION: ZURN ZE1203-ND4-JC**

Adjustable, horizontal siphon jet water closet "Rigid System" with 4" [102mm] No-Hub connections. Complete with Dura-Coated cast iron double main elongated fitting, with 2" [51mm] vent and 2" [51mm] auxiliary inlet, adjustable gasketed face plate, universal floor mounted foot supports, corrosion resistant adjustable polymer coupling with integral test cap, fixture bolts, trim, stud protectors, and bonded "Neo-Seal" gasket.

**PRODUCT/DEFINITION**

\_\_\_\_ ZE1203-ND4-JC D.C.C.I. Elongated Fitting System with Zurn "ZZ" Adjustable Coupling\*

**PREFIXES**

- \_\_\_\_ ZE D.C.C.I. Elongated Fitting System with Zurn "ZZ" Adjustable Coupling\*
- \_\_\_\_ ZEQ D.C.C.I. Elongated Fitting System with NPT Face Plate, Non-Adjustable Coupling

**SUFFIXES**

- |          |   |           |   |
|----------|---|-----------|---|
| ____ -A  | Auxiliary Support Assembly (For 'P' Dim. Greater than 18 [457])         | ____ -PS  | Pre-Fab Slotted Foot  |
| ____ -B  | Blowout Type Fixture Support  | ____ -RYK | Unistrut Pre-Fab Foot   |
| ____ -CC | Corrosion Resistant Cast Iron Coupling (6 [151] to 12 [305])            | ____ -VP  | Vandal-Proof Trim   |
| ____ -CL | Coupling Length Other Than Standard 6 [152] (Specified Length Required) | ____ -X3  | 3 [76] Carrier Foot Extension Assembly (See Z1200-FT-EXT-3)           |
| ____ -F  | Floor Mounted, Back Outlet Fixture Support                              | ____ -X4  | 4 [102] Carrier Foot Extension Assembly (See Z1200-FT-EXT-4)          |
| ____ -M  | Auxiliary Foot Support (for 'P' Dim. 10 [254] - 18 [457])               | ____ -45  | Finishing Frame for Siphon Jet System (See Z1200-FINFRAME-SJ)         |
| ____ -PF | Pre-Fab Foot  | ____ -50  | Flush Valve Supply Support for Water Closets (See Z1200-SPLY-SPRT-WC) |

\* Regularly furnished unless otherwise specified.