

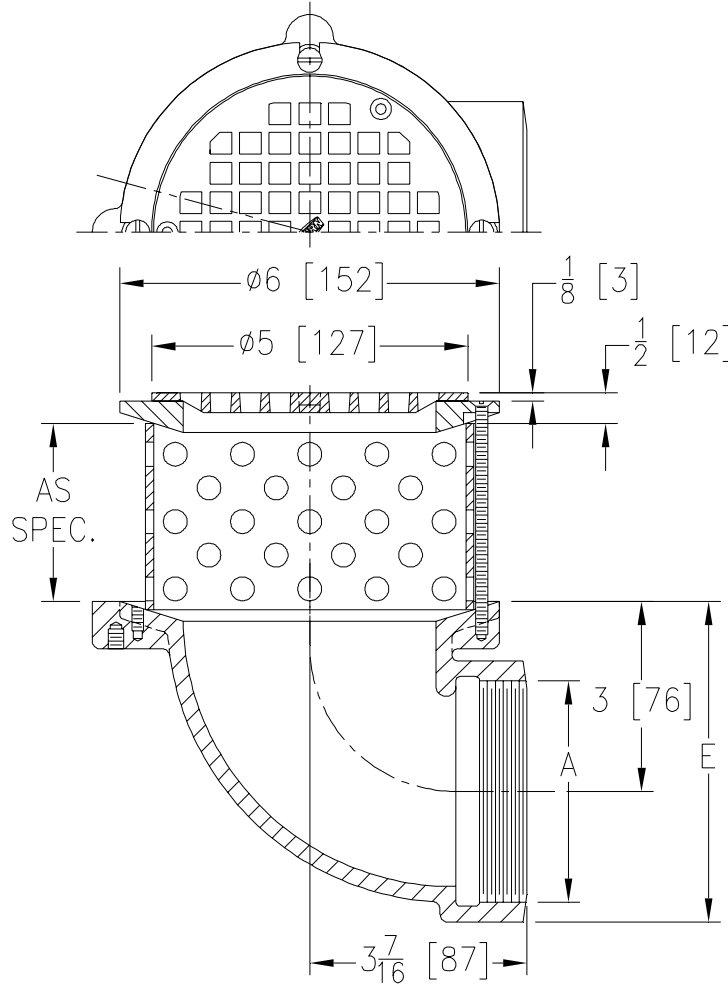


**Z185-77**

**6 [152] DIAMETER CORNICE DRAIN 90° OUTLET  
W/ FLAT STRAINER & STAINLESS STEEL EXTENSION**

TAG \_\_\_\_\_

Dimensional Data (inches and [mm]) are Subject to Manufacturing Tolerances and Changes Without Notice



A Pipe Size In.	Approx. Wt. Lbs. [kg]	Strainer Open Area Sq. In. [cm <sup>2</sup> ]
3 [76]	10 [5]	8 [51]
4 [102]	11 [5]	

**ENGINEERING SPECIFICATION: ZURNZB185-77**  
6 [152] Diameter Cornice drain, Dura-Coated cast iron 90° side outlet body, flat strainer and stainless steel perforated extension.

**OPTIONS** (Check/specify appropriate options)

**PIPE SIZE**

3 [76]  
4 [102]

(Specify size) **OUTLET**

\_\_\_ IP Threaded  
\_\_\_ IP Threaded

**'E' BODY HT. DIM.**

5 1/8 [130]  
5 5/8 [143]

**PREFIXES**

\_\_\_ ZB D.C.C.I. Body with Flat Strainer\*  
\_\_\_ ZN D.C.C.I. Body with Flat Strainer

**SUFFIXES**

\_\_\_ -G Galvanized Cast Iron  
\_\_\_ -VP Vandal-Proof Secured Top  
\_\_\_ -45 45° Side Outlet Body

REV.	DATE: 2/12/07	C.N. NO. 96195
DWG. NO. P-15379		PRODUCT NO. Z185-77

\*REGULARLY FURNISHED UNLESS OTHERWISE SPECIFIED