



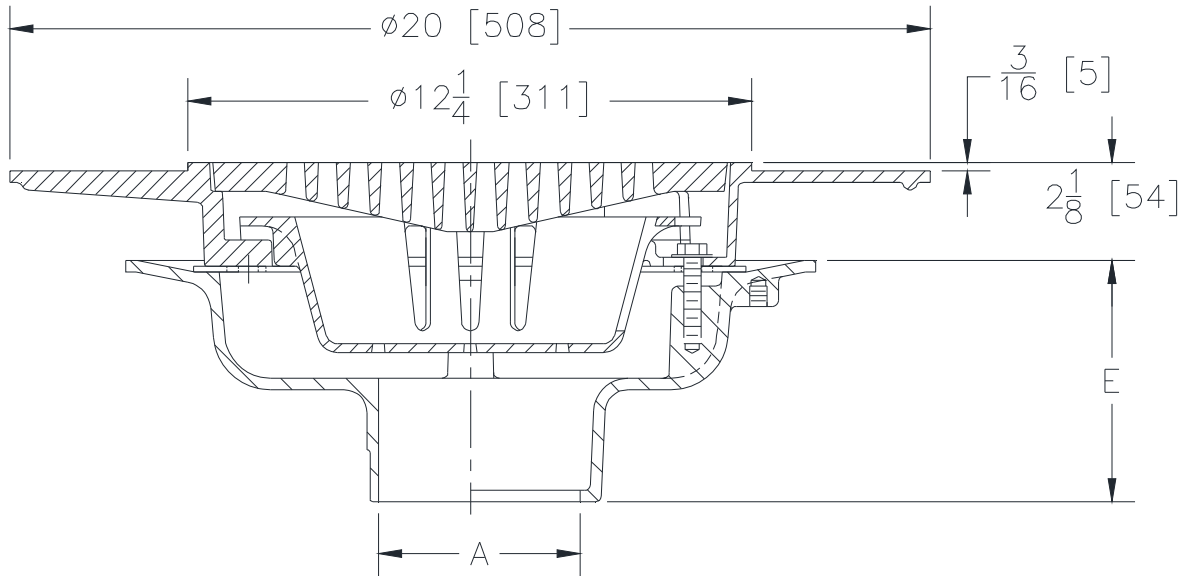
Z532-82

12 [305] DIAMETER WIDE FLANGE HEAVY-DUTY FLOOR DRAIN FOR CUSTOM PARKING GARAGE INSTALL

SPECIFICATION SHEET

TAG _____

Dimensional Data (inches and [mm]) are Subject to Manufacturing Tolerances and Change Without Notice



ENGINEERING SPECIFICATION: ZURN Z532-82

12 [305] Diameter wide flanged floor drain, Dura-Coated cast iron body with bottom outlet, gasketed frame with latex troweling flange for heavy-duty slotted grate, and suspended sediment bucket.

A- Pipe Size In.	Approx. Wt. Lbs. [kg]	Grate Open Area Sq. In. [cm ²]
2-3-4-5-6 [51-76-102-127-152]	54 [24]	30 [194]
8-10 [203-254]	56 [25]	

OPTIONS (Check/specify appropriate options)

PIPE SIZE

- 2 thru 6-8-10 [51 thru 152-203-254]
- 2 thru 4-6 [51 thru 102-152]
- 2 thru 6-8-10 [51 thru 152-203-254]
- 2 thru 6-8-10 [51 thru 152-203-254]
- 2 thru 4 [51 thru 102]

(Specify size/type) OUTLET

- ___ IC Inside Caulk
- ___ IG Inside Gasket
- ___ IP Threaded
- ___ NH No-Hub
- ___ NL Neo-Loc

'E' BODY HT. DIM.

- 5-1/4 [133]
- 5-1/4 [133]
- 3-3/4 [95]
- 5-1/4 [133]
- 4-1/2 [114]

PREFIXES

- ___ Z D.C.C.I. Body and Top*
- ___ ZB D.C.C.I. Body with Polished Bronze Top
- ___ ZN D.C.C.I. Body with Polished Nickel Bronze Top

SUFFIXES

- ___ -AR Acid Resistant Epoxy Coating
- ___ -C Underdeck Clamp
- ___ -DG Duresist Grate
- ___ -F Extension Frame (Specify Total Height Req'd.)
- ___ -G Galvanized Cast Iron
- ___ -HP Heel Proof Grate
- ___ -LY (Less) Sediment Bucket
- ___ -S Secondary Strainer
- ___ -SA Stabilizer Assembly (See Z1036)
- ___ -SS Stainless Mesh Liner for Bucket
- ___ -TC Neo-Loc Test Cap Gasket (2 [51]-4 [102] NL Bottom Outlet Only)
- ___ -TS Top Secured with Slotted Screws
- ___ -VP Vandal-Proof Secured Top
- ___ -WS Wide Slotted Grate (50 [323] Sq. In. Open Area)

* Regularly furnished unless otherwise specified.