

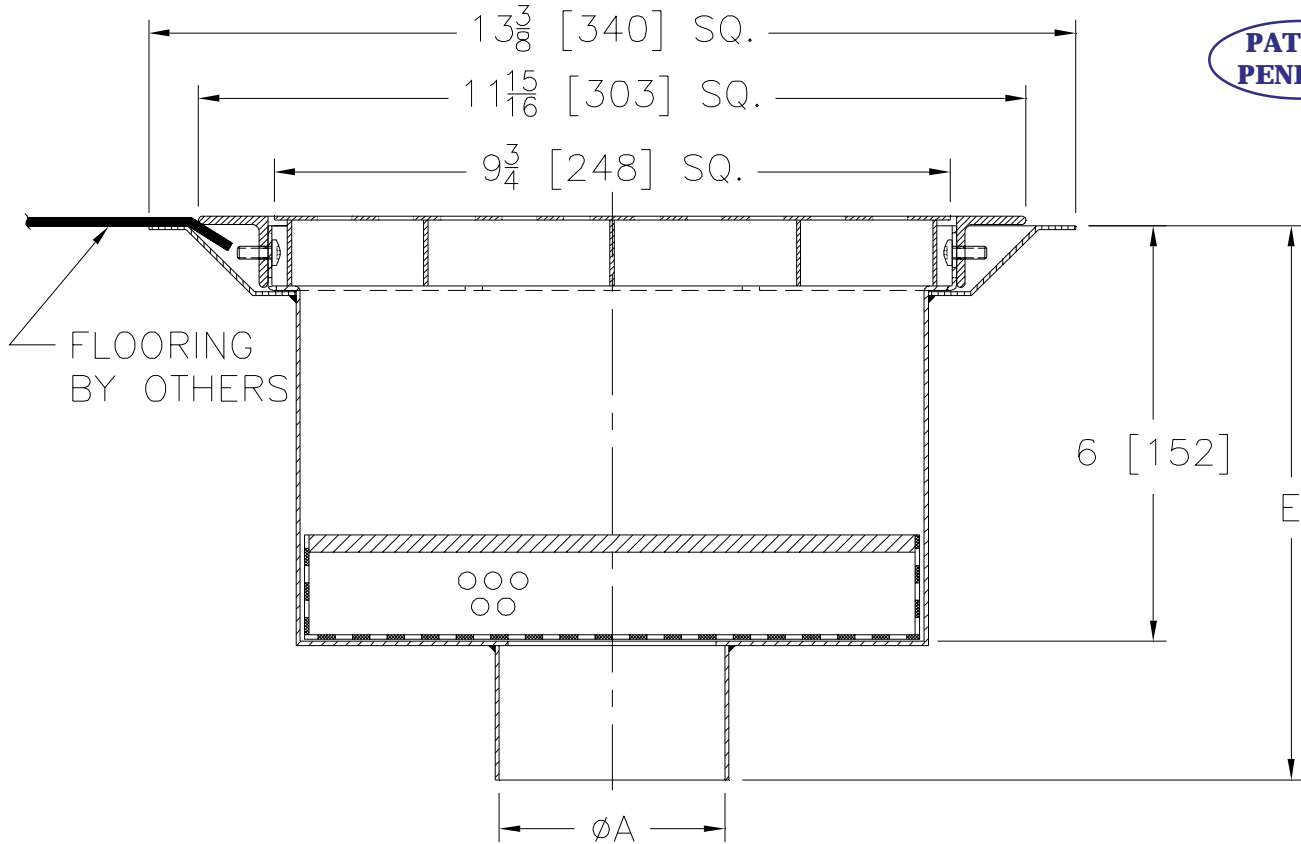


Z1755-75 SANI-FLOR RECEPTOR DRAIN W/ SEDIMENT BUCKET

SPECIFICATION SHEET

TAG _____

Dimensional Data (inches and [mm]) are Subject to Manufacturing Tolerances and Change Without Notice



A- Pipe Size In.	Approx. Wt. Lbs. [kg]	Grate Open Area Sq. In. [cm]
2-3-4 [51-76-102]	10 [5]	25 [161]

ENGINEERING SPECIFICATION: ZURN Z1755-75
 13 3/8 [340] Square x 6 [152] deep, 16 gage, All Type 304 (CF8)
 Fabricated stainless steel light-duty Sani-Flor receptor with removable sediment bucket and integral flooring clamp frame and non-tilt loose set full grate for unlevel floor installations.

OPTIONS (Check/specify appropriate options)

PIPE SIZE

2 thru 4 [51 thru 102]

(Specify size) **OUTLET**

___ NH No-Hub

'E' BODY HT. DIM.

8 [203]

PREFIXES

- ___ Z Type 304 (CF8) Stainless Steel Body*
- ___ ZM Type 316 (CF8M) Stainless Steel

SUFFIXES

- ___ -P 1/2 [13] Trap Primer Connection

REV.	DATE: 12/12/06	C.N. NO. 95945
DWG. NO. P-15359		PRODUCT NO. Z1755-75

*REGULARLY FURNISHED UNLESS OTHERWISE SPECIFIED